

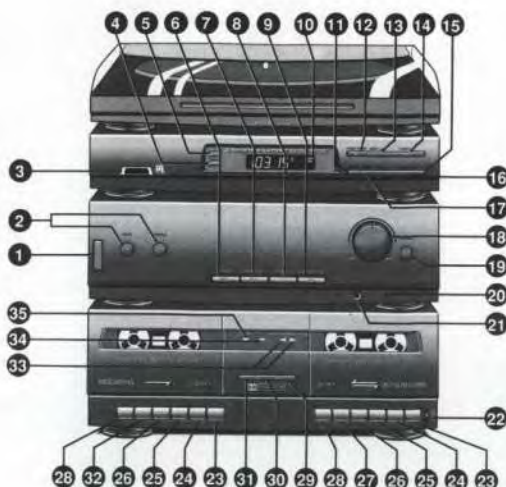
Service
Service
Service



For repair information of the tape transports see Service Manual of tapetransport RN2 and RR2

Service Manual

Contents:		Page
Connections and Controls		2
Specification		3
Service test program		4
Warnings		5
Handling Chip Components		6
Standard Components - table		6
Wiring Diagram		7 - 9
Tuner unit	circuit diagram	10 - 12
	component lay out	13 - 14
	adjustment table	15
Power unit	circuit diagram	16 - 18
	component lay out	19 - 21
Cassette unit	adjustment table	22
	component lay out	23 - 24
	circuit diagram	25 - 27
Front unit	component lay out	28 - 30
	circuit diagram μ P-part	31 - 33
	LF-part	34 - 36
Exploded view		37 - 38
Mechanical partslist		39
Electrical partslist		40 - 45



CONTROLS

1	Power switch	1271
2	Tone controls	3505/3513
3	INFRARED remote sensor	6420
4	AUTO SCAN button for scanning preset stations	1413
5	AUTO PROGRAM button for autom. programming of preset stations	1414
6,7,8,9	SOURCE SELECTION buttons	1401,1402,1403,1404
10	DISPLAY	1400
	shows: * sound sources (Cass, ADD or CD)	
	* in TUNER mode -frequency in kHz or MHz	
	-selected wave bands FM or MW	
	-stereo	
	-preset station number	
	-progr. to indicate that the frequ. can be programmed	
	* in TIMER mode -the remaining time in minutes until the set will go to stand by.	
11	BAND selector button	1406
	In stand by mode: press 10 to go to TIMER mode	
12	PRESET DOWN for tuning the preset stations	1412
13	PRESET UP for tuning the preset stations	1411
14	TUNING UP/MINUTES UP: for tuning to higher frequ./timer setting	1410
15	TUNING DOWN/MINUTES DOWN: tuning to lower frequ./timer setting	1407
16	MONO button - in TIMER mode CLEAR button	1408
17	PROGR button: to program preset transmitters	1414
18	VOLUME control with LED indic. (flashes while remote controlled)	3500
19	BALANCE control	3545
20	DYNAMIC Bass Boost button	1405

Tape decks

22	MODE lever for selecting the reverse mode	
23	PAUSE button	
24	WIND button	
25	REW button	
26	PLAY button	
27	DIRECTION button for reversing the tape direction on deck II.	
28	STOP/EJECT button	
29	Fe/CrO2 button for selecting the type of tape.	1070
30	HIGH SPEED DUBBING selector	1070
31	DOLBY NR button	1070
32	RECORD button deck I	
33	DIRECTION indicators for deck II	6721/6722
34	HIGH SPEED DUBBING LED indicator	6725
35	DOLBY NR LED indicator	6724

CONNECTIONS

A	LOUDSPEAKER terminals for 2 or 4 loudspeakers >8 Ohm	1272
B	FM antenna terminal 300 Ohm/75 Ohm	5131/1104
C	CD IN for connecting a compact disc player	1554
D	AUX/TV IN for the sound channel of a TV set etc.	1554
E	PHONO IN for a record player with a magnetodyn. element	1554
F	PHONO SUPPLY socket for a record player without its own supply	1286
G	REMOTE RC5 OUT - can be used with the REMOTE IN of a CD player	1273
H	MAINS CABLE	
21	PHONES socket for stereo headphones 32-1000 Ohm	1274

SPECIFICATION

GENERAL

Mains Voltage : 220V/50Hz
 : 240V/50Hz for /45 and /50
 : 115/230V/50Hz switchable for /41
 Power consumption : 300W max.
 Phono supply out : 12V +/-2V 100mA

TUNER

	FM	MW	LW
Tuning range	: 87,5-108MHz	522-1611kHz (530-1700kHz)	148-284kHz
Aerial input	: 75 Ohm	ferrite	ferrite
IF	: 10,7MHz	450 +/-1kHz	450 +/-1kHz
Sensitivity	: 6uV typ.	1500uV/m typ.	3000uV/m typ.
Image rej.ratio	: 40dB typ.	32dB typ.	35dB typ.
-3dB limiting point	: 8uV typ.		

AMPLIFIER

Output power (RMS) : 2x58W into 8 Ohm D=10% 2x50W into 8 Ohm D=0,9%
 Music power : 2x152W into 8 Ohm D=10%
 Headphone : 3V into 1 kOhm, 350mW into 8 Ohm
 Frequ. response : 40Hz-20kHz (within 3dB)
 Tone control : Bass +/-10dB at 40 Hz
 : Treble +/-10dB at 16 kHz
 DBB : +8dB at 63Hz (volume -23dB)

	Phono	Aux/TV	CD
Input sensitivity	: 2,7mV	200mV	350mV

CASSETTE RECORDER

Tape speed : 4,76 cm/sec +/-2%
 : 9,50 cm/sec typ. on HS-Dubbing
 Wow and flutter : < 0,3% WRMS
 Fast winding time : 130 sec
 Noise reduction system : Dolby B (NR. factor: 8,5dB typ.)
 Erase/Bias-system : AC 80kHz
 RIF-drift : service solution on request

	IEC I	IEC II	IEC IV and dubbing	HS-dubbing
S/N ratio	: 50dBA	51dBA	48dBA	48dBA
REC/PB frequ. response (-7dB)	: 125-12500Hz	125-12500Hz	125-12500Hz	---
Distortion 220nW/m	: < 3%			
Channel difference	: +/-1dB typ.			

REMOTE CONTROL : RC5 code

FUNCTION	COMMAND CODE	DEVICE	SYSTEM-CODE
AMPLIFIER			
Stand by	12	Amplifier	<24 *
Volume up	16	Tuner	17
Volume down	17	Cassette	18
Source (Tuner, Cass, CD, TV/Aux)	63	CD	20/12
		TV/Aux	<24 *
TUNER			
10 keypath	0-9	* except 12,17,18,20	
Memory open/close	41		
Frequ. up	52		
Frequ. down	50		
Preset up	32		
Preset down	33		
Wave band scroll	46		
(Preset) Intro scan	43		
Mono	37		

TEST PROCEDURE

The Test Procedure enables the loading of the EEROM with the initial preset frequencies and the check of the display.

To start the Test Procedure hold **PROGR** and **PRESET UP** depressed while switching Power on.
 After loading the EEROM all segments of the display are switched on until the keys **PROGR** and **PRESET UP** are released.
 After the keys have been released the normal program starts and the following stored frequencies can be checked:

	2 - band version	3 - band version
	FM (MHz)	FM (MHz)
Last tuned	108,0	108,0
0	87,5	87,5
1	97	97
2	98	98
3	99	99
4	108,0	108,0
	MW (kHz)	MW (kHz)
5	522	522
6	567	567
7	603	603
8	1278	1278
9	1494	1494
10	1611	1611
	FM (MHz)	LW (kHz)
11	87,5	148
12	87,5	155
13	87,5	200
14	87,5	275
15	87,5	284
	miscellaneous	miscellaneous
16	87,5	87,5
17	88,3	88,3
18	87,5	87,5
19	87,5	87,5
20	87,5	87,5
21	97,75	97,75
22	1575	1575
23	87,5	87,5
24	96,5	96,5
25	549	549
26	89,7	89,7
27	104,9	104,9
28	1602	1602
29	87,5	87,5
30	87,5	87,5
31 - 40	87,5	87,5

GB

Safety regulations require that the set be restored to its original condition and that parts which are identical with those specified be used.

D

Bei jeder Reparatur sind die geltenden Sicherheitsvorschriften zu beachten. Der Originalzustand des Geräts darf nicht verändert werden; für Reparaturen sind Original-Ersatzteile zu verwenden.

NL

Veiligheidsbepalingen vereisen, dat het apparaat in zijn oorspronkelijke toestand wordt teruggebracht en dat onderdelen, identiek aan de gespecificeerde, worden toegepast.

I

Le norme di sicurezza esigono che l'apparecchio venga rimesso nelle condizioni originali e che siano utilizzati i pezzi di ricambio identici a quelli specificati.

F

Les normes de sécurité exigent que l'appareil soit remis à l'état d'origine et que soient utilisées les pièces de rechange identiques à celles spécifiées.

GB WARNING

All ICs and many other semi-conductors are susceptible to electrostatic discharges (ESD). Careless handling during repair can reduce life drastically.

When repairing, make sure that you are connected with the same potential as the mass of the set via a wrist wrap with resistance. Keep components and tools also at this potential.

ESD



NL WAARSCHUWING

Alle IC's en vele andere halfgeleiders zijn gevoelig voor electrostatische ontladingen (ESD).

Onzorgvuldig behandelen tijdens reparatie kan de levensduur drastisch doen verminderen. Zorg ervoor dat u tijdens reparatie via een polsband met weerstand verbonden bent met hetzelfde potentiaal als de massa van het apparaat.

Houd componenten en hulpmiddelen ook op hetzelfde potentiaal.

F ATTENTION

Tous les IC et beaucoup d'autres semi-conducteurs sont sensibles aux décharges statiques (ESD).

Leur longévité pourrait être considérablement écourtée par le fait qu'aucune précaution n'est prise à leur manipulation.

Lors de réparations, s'assurer de bien être relié au même potentiel que la masse de l'appareil et enfiler le bracelet serti d'une résistance de sécurité.

Veiller à ce que les composants ainsi que les outils que l'on utilise soient également à ce potentiel.

D WARNUNG

Alle ICs und viele andere Halbleiter sind empfindlich gegen elektrostatische Entladungen (ESD).

Unsorgfältige Behandlung bei der Reparatur kann die Lebensdauer drastisch vermindern. Sorgen sie dafür, dass Sie im Reparaturfall über ein Pulsarmband mit Widerstand mit dem Massepotential des Gerätes verbunden sind, halten Sie Bauteile und Hilfsmittel ebenfalls auf diesem Potential.

I AVVERTIMENTO

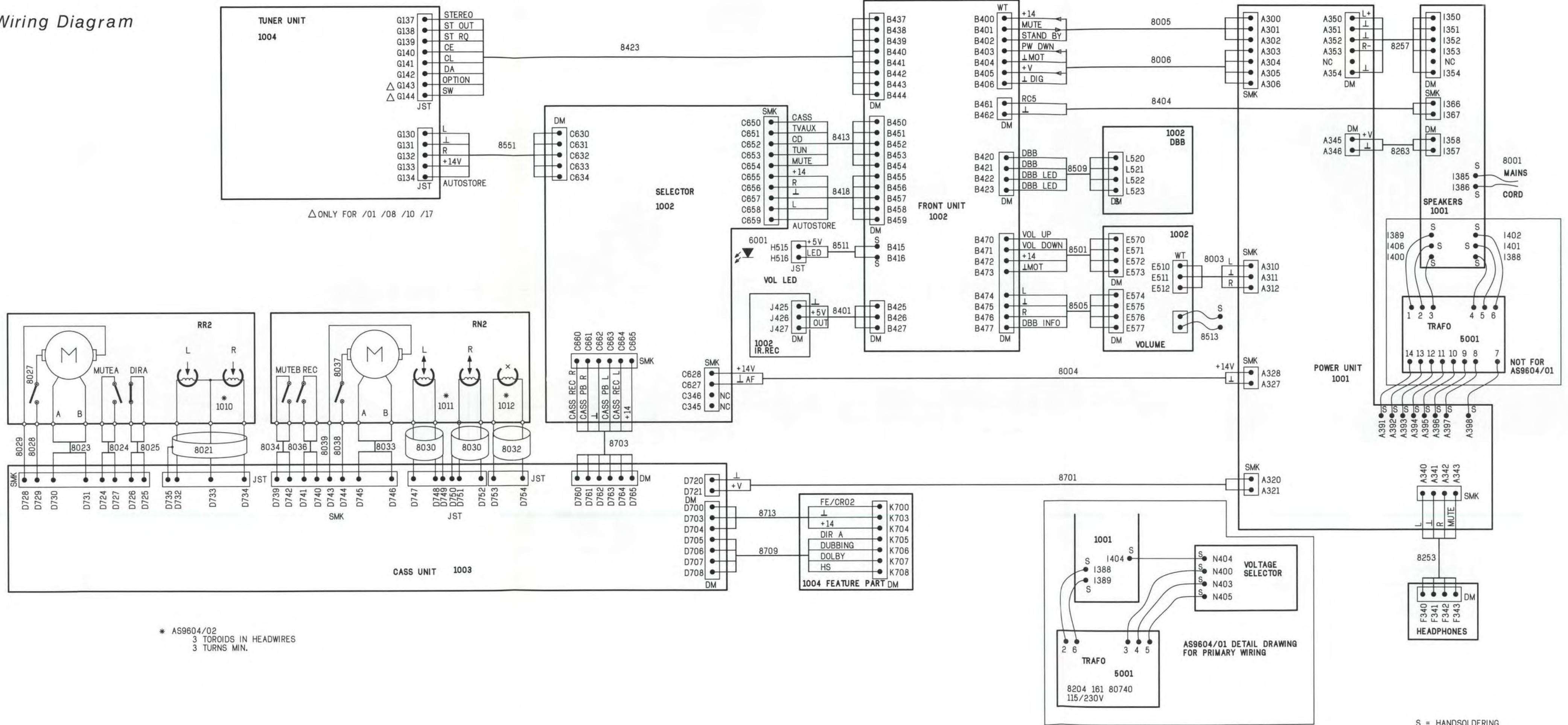
Tutti IC e parecchi semi-conduttori sono sensibili alle scariche statiche (ESD).

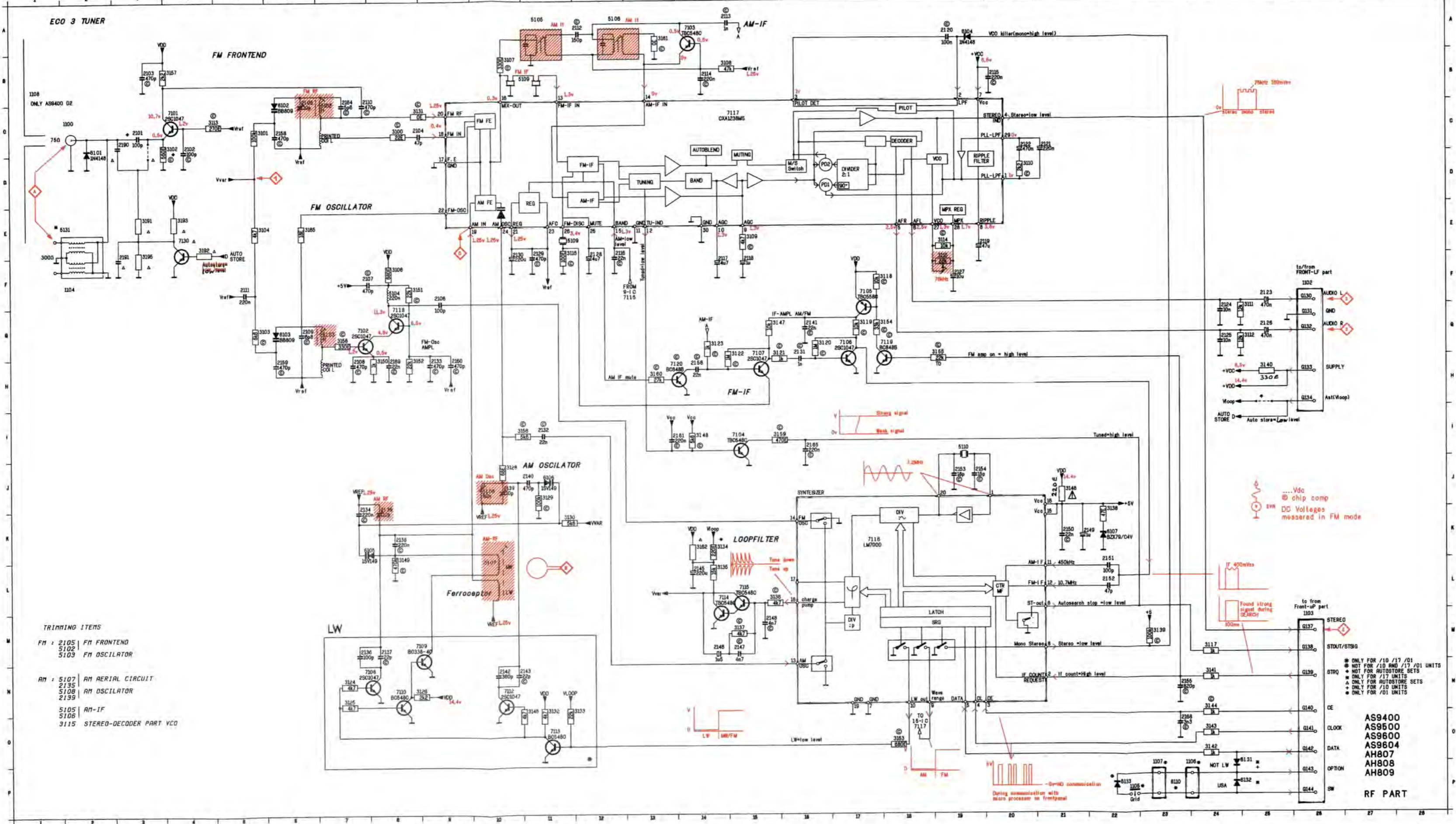
La loro longevità potrebbe essere fortemente ridatta in caso di non osservazione della più grande cauzione alla loro manipolazione.

Durante le riparazioni occorre quindi essere collegato allo stesso potenziale che quello della massa dell'apparecchio tramite un braccialetto a resistenza.

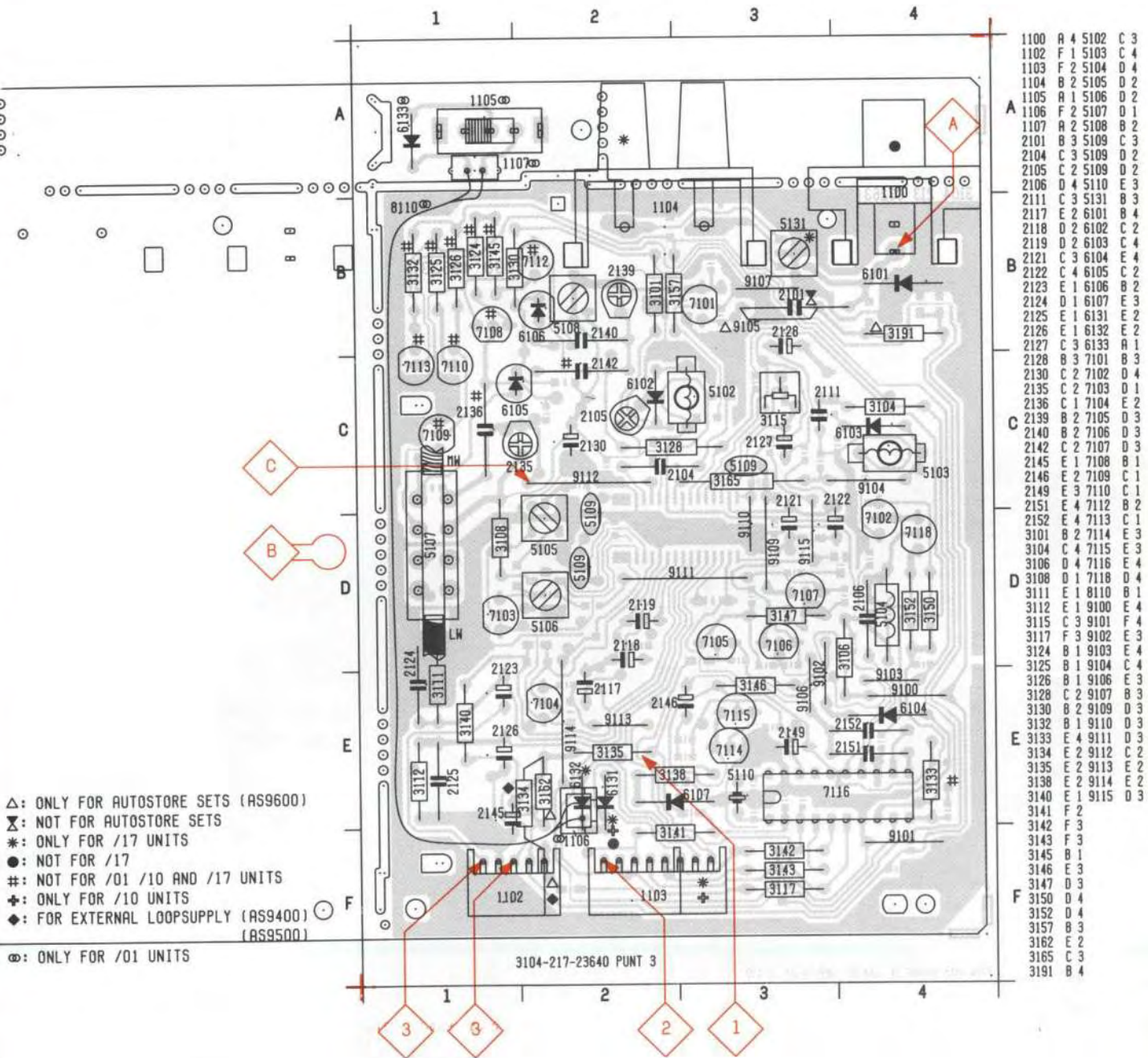
Assicurarsi che i componenti e anche gli utensili con quali si lavora siano anche a questo potenziale.

Wiring Diagram

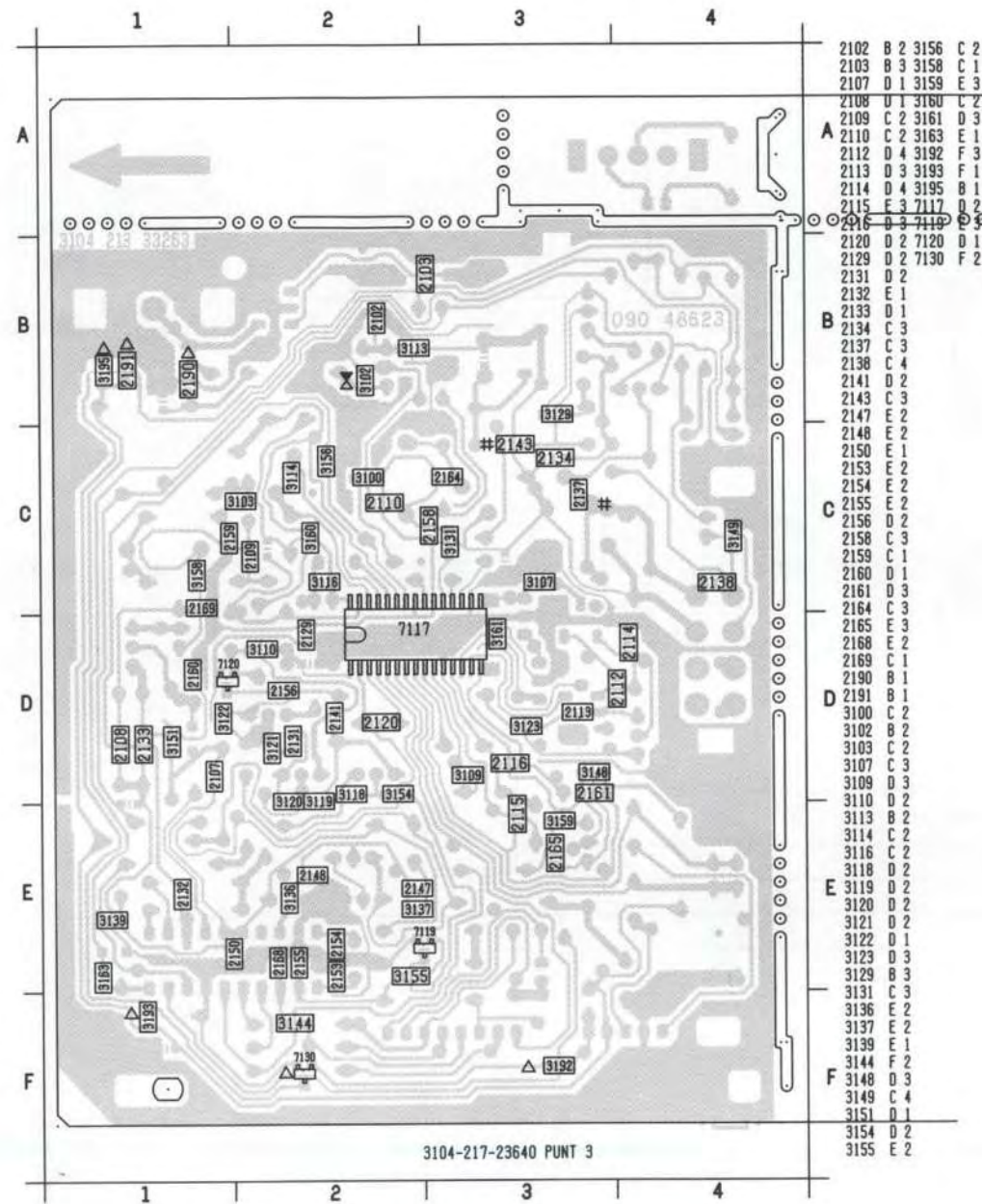




ECO 3 TUNER BOARD / Component side view



ECO 3 TUNER BOARD / Copper side view



TUNER Adjustment table

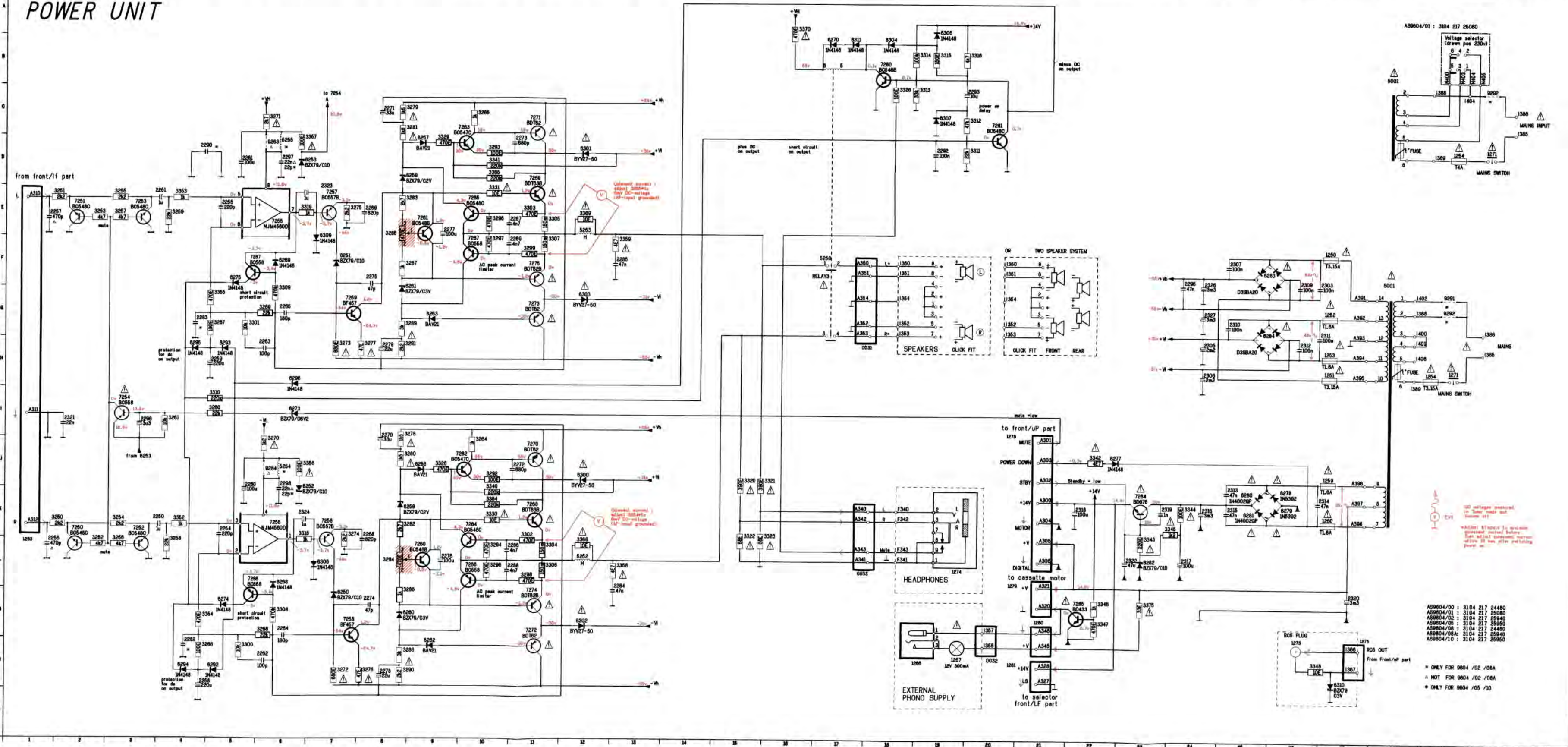
WAVERANGE	INPUT FREQU.	I/P	SET TUNED TO	ADJUST	O/P	SCOPE/METER
VARICAP ALIGNMENT						
FM 87.5 - 108 MHz			108 MHz	5103	1	8 V
			87.5 MHz	check		2,9 +/- 0,3 V
MW 522 - 1611 kHz			1611 kHz	2139	1	8,5 V
			148 - 284 kHz	5108		8,5 V
MW 2-band version 522 - 1611 kHz			1611 kHz	2139	1	8,5 V
			522 kHz	5108		1,2 V
FM - RF						
FM	87,5 MHz mod = 1kHz $\Delta f=22,5\text{kHz}$	A	87,5 MHz	5102	3	max.
	108 MHz mod = 1kHz $\Delta f=22,5\text{kHz}$		108 MHz	2105		
Stereo decoder						
FM	98 MHz carrier 1mV	A	98 MHz	3115	2	76 +/- 0,2 kHz
AM - IF						
MW	522 kHz * $\Delta f=10\text{kHz}$ (50kHz)	C	522 kHz	5106 5105	3	max. symmetrical
AM - RF						
MW +o	558 kHz	B	558 kHz	5107 (MW)	3	max.
	1494 kHz		1494 kHz	2135		
LW	200 kHz		200 kHz	5107 (LW)		

Repeat

- * via 100 nF (Generator impedance <75 Ohm)
- + mod = 1kHz, 30% AM
- o Put LW-coil (5107) in expected position first.

1250	F21	1257	M18	2251	C 4	2258	H 4	2265	O 8	2273	D10	2278	H 8	2287	E10	2295	F04	2306	H04	2313	J05	2318	K03	2326	F04	3254	H 3	3260	I 5	3268	H 8	3274	K 7	3280	J 8	3286	H 8	3292	J10	3298	L11	3304	L11	3310	I 5	3318	H 8	3323	K15	3340	J10	3346	K22	3355	O 5	3365	D10	5001	028	6250	H 7	6258	K 8	6268	L 6	6277	J22	6283	F25	6296	H 8	6305	A19	7250	K 2	7255	K 6	7261	E 8	7267	F10	7273	G11	7285	H22	9202	020
1251	M27	1259	J27	2254	K 5	2260	J 5	2268	K 8	2274	H 8	2282	H 4	2290	L10	2296	L 3	2307	F25	2314	K28	2320	M27	2327	F04	3255	E 3	3261	I 4	3268	H 8	3275	E 7	3281	E 8	3287	F 8	3293	O10	3298	F11	3305	E11	3311	H18	3318	K 6	3326	C18	3341	D10	3347	K22	3356	J 8	3368	L12	3250	F17	6251	F 7	6259	D 8	6269	H 8	6278	J26	6284	O25	6300	J12	6307	C19	7251	C 2	7256	K 7	7262	J10	7268	K11	7274	H11	7286	L 5	9202	020
1252	M27	1260	K27	2255	C 5	2261	D 5	2269	E 8	2275	F 8	2283	O 4	2290	F10	2297	O 8	2309	F28	2315	K25	2321	I 2	2329	F04	3256	L 3	3264	J10	3270	J 6	3276	H 8	3282	K 8	3288	H 8	3294	L10	3300	H 5	3306	L11	3312	C18	3320	J15	3328	J 8	3342	J22	3348	M28	3357	D 8	3369	L12	3252	L12	6252	J 8	6260	H 8	6270	H 7	6278	J26	6282	H 5	6301	O12	6308	L 7	7252	C 2	7257	E 7	7263	C10	7269	G11	7275	H11	7287	F 5	9202	020
1253	M27	1271	M28	2256	L 1	2262	H 6	2270	I 8	2276	L 6	2284	L12	2290	J 8	2310	O25	2316	K24	2322	L29	2321	E 2	2327	E 3	3257	E 3	3265	C10	3271	C 6	3277	H 8	3283	E 8	3289	O 8	3295	E10	3301	O 5	3307	F11	3313	C18	3320	J15	3328	J 8	3344	K24	3353	E 4	3365	F13	3375	M28	3384	J 8	6254	J 8	6262	H 8	6272	I 6	6280	K25	6293	H 4	6303	O12	6310	M27	7254	C 1	7259	O 7	7265	E10	7271	C11	7281	C20	9204	J 6	9202	020
1254	M28	1271	O30	2257	E 1	2263	H 6	2271	C 8	2277	G 4	2285	F12	2292	D10	2303	F26	2311	O28	2317	L24	2323	E 7	2329	L 2	3258	L 4	3266	H 4	3272	H 7	3278	C 8	3284	H 8	3290	H 8	3296	L10	3302	E11	3308	H 8	3314	H18	3321	J15	3330	K10	3344	K24	3353	E 4	3365	K10	5001	F28	6255	O 6	6263	D 9	6273	F 5	6281	K25	6294	H 4	6305	O12	6310	M27	7254	C 1	7259	O 7	7265	E10	7271	C11	7281	C20	9204	J 6	9202	020		
1254	O29	2250	K 4	2258	H 4	2264	H 6	2272	J10	2278	H 8	2286	L10	2293	C18	2305	H24	2312	H26	2316	K22	2324	K 6	2329	E 2	3259	E 4	3267	D 5	3273	H 7	3279	C 8	3285	E 8	3291	H 8	3297	F10	3303	E11	3309	O 8	3315	H10	3322	K15	3331	E10	3345	K24	3354	H 4	3364	K10	5001	F28	6255	O 6	6263	D 9	6273	F 5	6281	K25	6294	H 4	6305	O12	6310	M27	7254	C 1	7259	O 7	7265	E10	7271	C11	7281	C20	9204	J 6	9202	020		

POWER UNIT



Adjustment	Cassette	Recorder	Measure on	Read on	with	Adjust to
Motor speed	SBC 420 3150 Hz	play A (II)	① or speaker out	frequency counter	3776	6300 Hz ± 3%
High speed ²⁾		play B (I)			3774	6300 Hz ± 3%
Normal speed		play A (II)		Wow and flutter-meter	3777	0 ± 1%
		play B (I)			3775	0 ± 1%
Wow and Flutter	SBC 420 3150 Hz	play A (II) play B (I)	① ② or speaker out	Wow and flutter-meter		check if ≤ 0.3%
Azimuth	SBC 420 10kHz	play A (II) play B (I)	① ② or speaker out	mV-meter	Right hand screw (normal direction) Left hand screw (reverse direction) Left hand screw	max. output left= right

For adjustment of azimuth cassette flaps (407, 411) have to be removed.

Adjustment	Source	Recorder	Measure on	Read on	with	Adjust to
Play back- sensitivity	Dolby reference level- cassette	Play A (II)	left ① (D763)	mV-meter		775mV ± 2 dB
			right ② (D761)	mV-meter	Check	775mV ± 2 dB
		Play B (I)	left ①	mV-meter		775mV ± 2 dB
			right ②	mV-meter		775mV ± 2 dB
Recording- sensitivity ¹⁾	Dolby off Cr-position input signal at A B 500 mV/315 Hz	Rec. B (I)	3703 left ③ ↔ ④	mV-meter	Check	1,8 mV* ± 2 dB
			3704 right ⑤ ↔ ⑥			1,8 mV* ± 2 dB (in Fe mode 3,5 ± 0,5 dB lower)
Bias	Dolby off Cr-position	Rec. B (I)	3703 left ③ ↔ ④	mV-meter	3715 left 3716 right	13 mV + 13 mV + (in Fe-mode 3,5 ± 1 dB lower)
			3704 right ⑤ ↔ ⑥			
Erase oscillator		Rec. B (I)	Erase head D753/D754	mV-meter frequency counter		check: Cr 33 V ± 5 V Fe 22 V ± 4 V f=74 ± 6 kHz

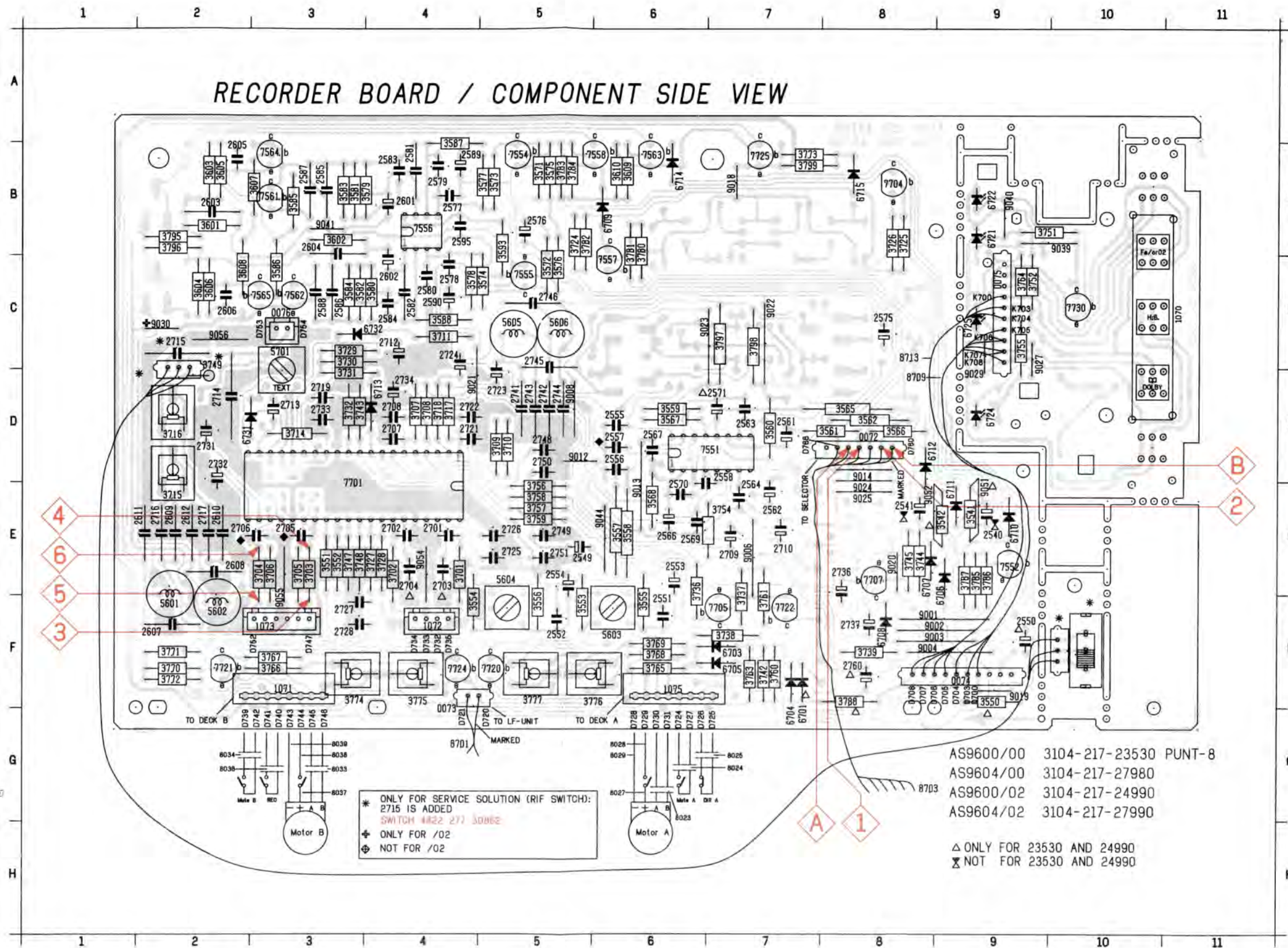
* Make a record and check if recorded signal gives 775 mV ± 2 dB on ① and ② in play back. Distortion ≤ 3 %.

+ If sensitivity, distortion or frequency response are wrong, then readjust bias and check again.

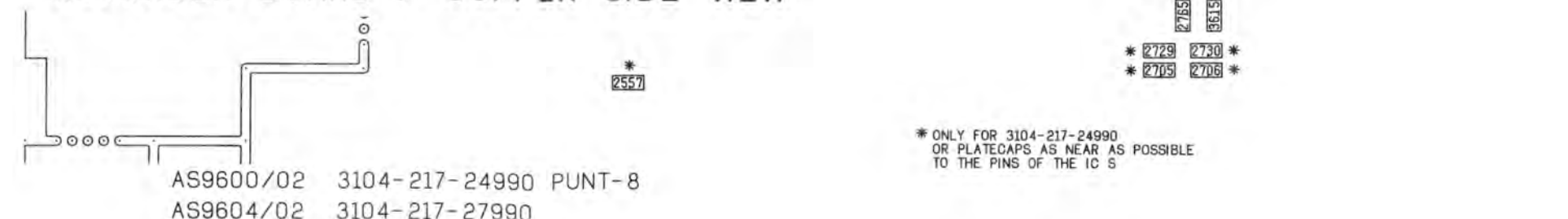
¹⁾ To switch bias oscillator off connect pins 14, 16 and 18 of 7701 together.

²⁾ To switch to high speed in play mode, connect base of 7725 to ground.

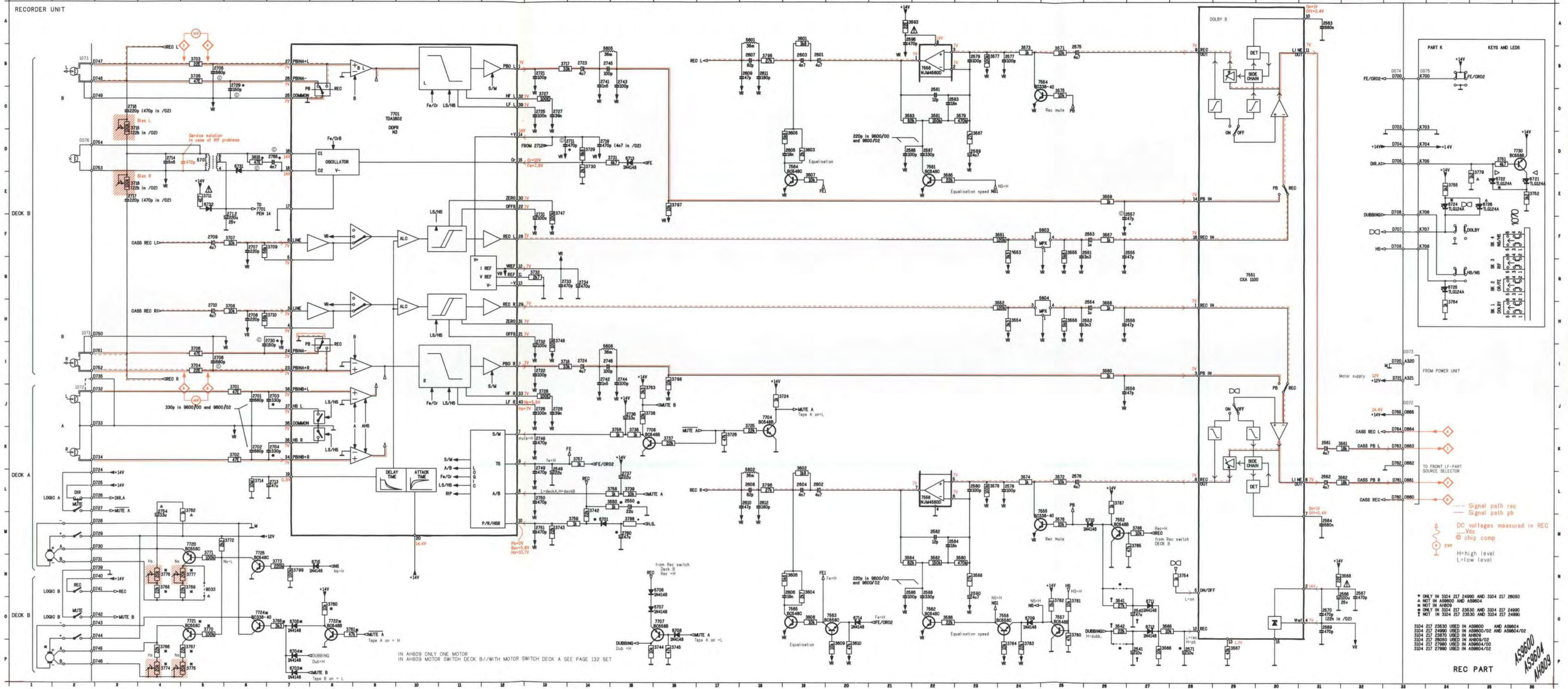
0072	D	8	2732	D	2	3730	C	3	7558	B	6
0073	D	4	2733	D	3	3731	D	3	7561	B	3
0074	F	9	2734	D	4	3732	D	3	7562	C	3
0075	C	9	2736	E	8	3736	E	6	7563	B	6
0076	C	3	2737	F	8	3737	F	7	7564	B	3
1070	C	11	2741	D	5	3738	F	7	7565	C	3
1071	F	3	2742	D	5	3739	F	8	7701	E	8
1072	F	4	2743	D	5	3742	F	7	7704	B	8
1073	F	3	2744	D	5	3743	D	3	7705	F	7
1075	F	6	2745	C	5	3744	E	8	7707	E	8
2540	E	9	2746	C	5	3745	E	8	7720	F	5
2541	E	8	2748	D	5	3747	E	3	7721	F	2
2549	E	5	2749	E	5	3748	E	3	7722	F	7
2550	F	9	2750	D	5	3749	C	2	7724	F	4
2551	F	6	2751	E	5	3751	B	9	7725	B	7
2552	F	5	2760	F	8	3752	C	9	7730	C	10
2553	E	6	3541	E	9	3754	E	7	8701	G	4
2554	E	5	3542	E	9	3755	C	9	8703	G	8
2555	D	6	3550	F	9	3756	E	5	8709	C	8
2556	D	6	3551	E	3	3757	E	5	8713	C	8
2557	D	6	3552	E	3	3758	E	5	9001	F	8
2558	F	7	3553	E	5	3759	E	5	9002	F	9
2561	D	7	3554	F	4	3760	F	7	9003	F	9
2562	F	7	3555	F	6	3761	F	7	9004	F	8
2563	D	7	3556	F	5	3763	F	7	9006	E	7
2564	E	7	3557	E	6	3764	C	9	9008	D	5
2566	E	6	3558	E	6	3765	F	6	9012	D	5
2567	D	6	3559	D	6	3766	F	3	9013	E	6
2569	E	6	3560	D	7	3767	F	3	9014	D	8
2570	E	6	3561	D	8	3768	F	6	9018	B	7
2571	D	7	3562	D	8	3769	F	6	9019	F	9
2575	E	8	3565	D	8	3770	F	2	9020	E	8
2576	E	5	3566	D	8	3771	F	2	9021	D	7
2577	E	4	3567	D	6	3772	F	2	9022	C	4
2578	C	4	3568	E	6	3773	B	7	9023	C	6
2579	E	4	3571	E	5	3774	F	3	9024	E	8
2580	C	4	3572	C	5	3775	F	4	9025	E	8
2581	E	4	3573	E	5	3776	F	6	9027	C	9
2582	C	4	3574	C	5	3777	F	5	9029	D	9
2583	E	4	3575	E	5	3780	E	6	9030	C	2
2584	C	4	3576	C	5	3781	E	6	9039	B	10
2585	E	3	3577	E	5	3782	E	5	9040	B	9
2586	C	3	3578	C	4	3783	E	5	9041	B	3
2587	E	3	3579	E	4	3784	E	5	9044	E	6
2588	C	3	3580	C	4	3785	E	9	9051	E	9
2589	E	4	3581	E	3	3786	E	9	9052	E	8
2590	C	4	3582	C	3	3787	E	9	9054	E	4
2595	E	4	3583	E	3	3788	E	8	9055	F	3
2601	E	4	3584	C	3	3795	E	2	9056	C	2
2602	C	4	3585	E	3	3796	E	2			
2603	E	2	3586	C	3	3797	C	7			
2604	E	3	3587	E	4	3798	C	7			
2605	E	2	3588	C	4	3799	B	7			
2606	C	2	3593	E	5	5601	F	2			
2607	F	2	3601	B	2	5602	F	2			
2608	E	2	3602	B	3	5603	F	2			
2609	E	2	3603	B	2	5604	E	5			
2610	E	2	3604	C	2	5605	C	5			
2611	E	2	3605	C	2	5606	C	5			
2612	E	2	3606	C	2	5701	C	3			
2701	E	4	3607	E	3	6701	C	7			
2702	E	4	3608	C	2	6703	F	7			
2703	E	4	3609	E	6	6704	C	7			
2704	E	4	3610	E	6	6705	F	7			
2705	E	3	3701	E	4	6706	E	9			
2706	E	2	3702	E	4	6707	E	8			
2707	D	4	3703	E	3	6708	F	8			
2708	D	4	3704	C	3	6709	B	6			
2709	E	7	3705	E	3	6710	E	9			
2710	E	7	3706	E	3	6711	E	9			
2712	C	4	3707	D	4	6712	D	9			
2713	D	3	3708	D	4	6713	D	4			
2714	D	2	3709	D	5	6714	B	6			
2715	D	2	3710	B	5	6915	B	8			
2716	E	2	3711	C	4	6721	B	9			
2717	E	2	3714	D	3	6722	B	9			
2719	D	3	3715	E	2	6724	D	9			
2721	D	4	3716	D	2	6725	C	9			
2722	D	4	3717	D	4	6731	D	2			
2723	D	5	3718	D	4	6732	C	4			
2724	C	4	3724	E	5	7551	D	7			
2725	E	5	3725	B	8	7552	E	9			
2726	E	5	3726	B	8	7554	B	5			
2727	F	3	3727	E	4	7555	C	4			
2728	F	3	3728	E	4	7556	B	4			
2731	D	2	3729	C	3	7557	C	6			



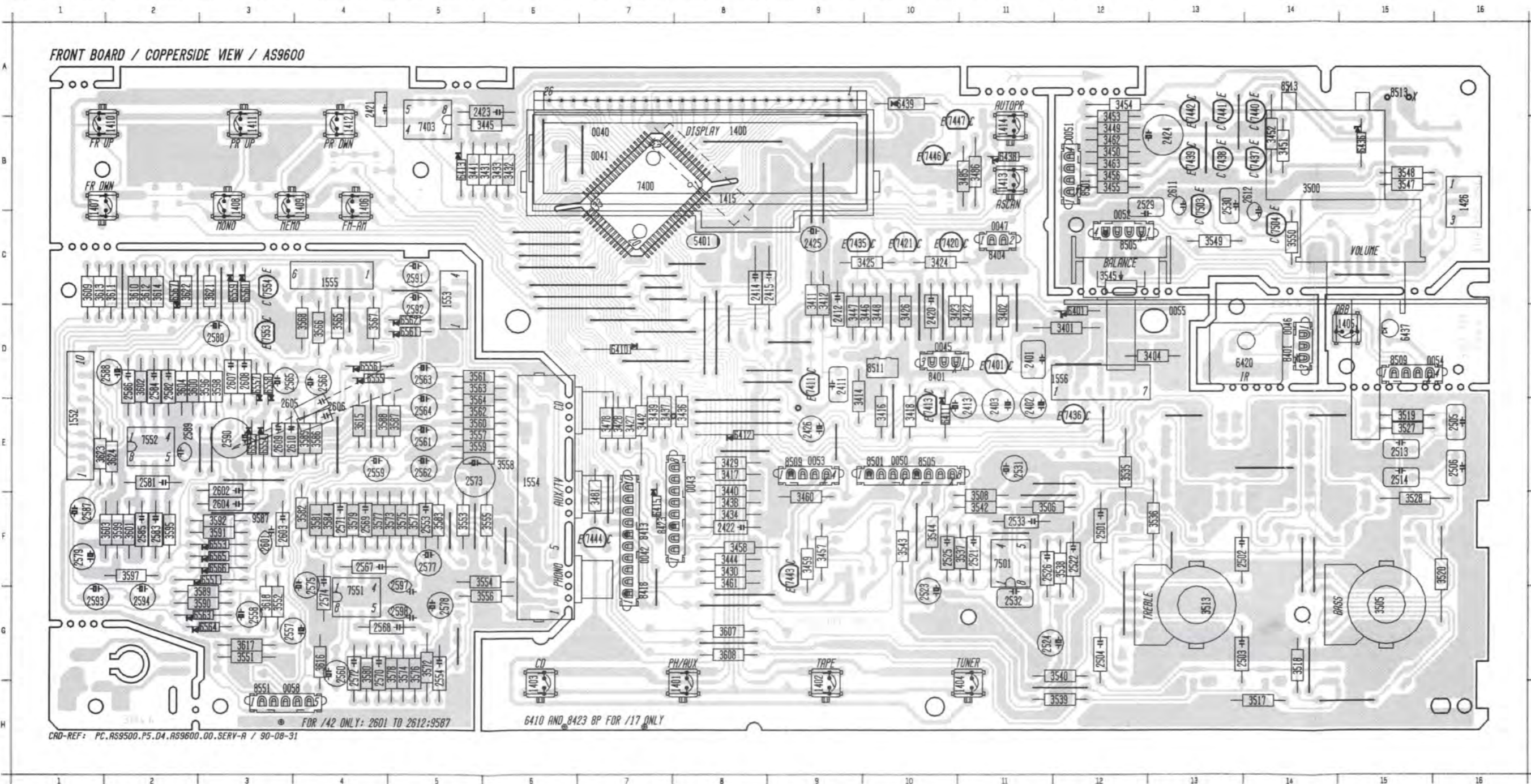
RECORDER BOARD / COPPER SIDE VIEW



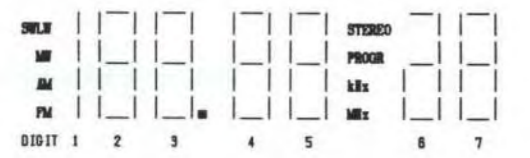
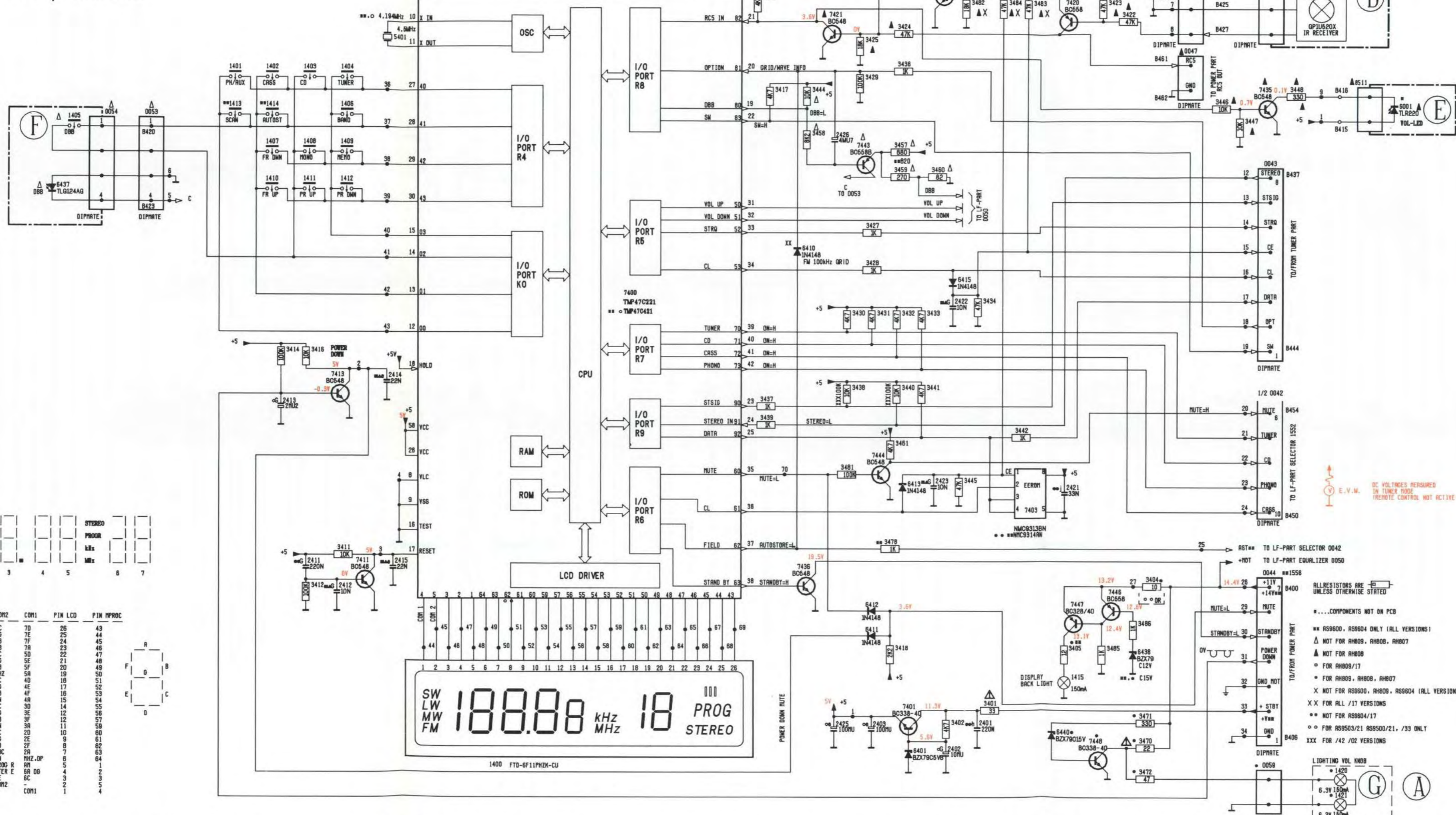
2540 027 2552 H25 2557 E26 2564 R31 2571 P28 2579 R23 2584 R22 2586 Q23 2603 R19 2608 L18 2701 J 6 2706 I 5 2711 013 2717 E 3 2724 114 2729 B 6 2734 014 2743 015 2749 K13 2765 D 7 3552 H24 3557 F26 3562 L32 3571 025 3576 H25 3581 C22 3586 Q23 3602 K10 3607 E19 3701 J 8 3706 I 5 3711 E 5 3718 113 3726 J13 3736 K15 3743 R13 3751 Q35 3757 K14 3762 L 5 3767 P 5 3772 H 5 3777 N 5 3783 F24 3788 R15 3799 W 7 5605 R14 6704 P 7 6709 Q24 6714 Q41 6725 R34 7552 R35 7557 R35 7564 D18 7707 018 7725 0 8
 2541 P27 2553 F26 2558 J26 2566 N31 2575 R25 2580 L23 2585 Q21 2590 N23 2604 L19 2609 R17 2702 K 6 2707 F 6 2712 E 5 2719 014 2725 C13 2730 H 6 2736 J15 2744 115 2750 L13 3541 026 3553 F24 3558 H26 3565 Q27 3572 L25 3577 R23 3582 N22 3587 Q23 3603 019 3608 019 3702 K 6 3707 F 6 3714 L 6 3724 K18 3729 014 3737 K16 3744 P15 3752 E36 3758 L15 3763 J15 3768 W 4 3773 N 7 3779 Q35 3784 F24 3789 R16 3795 018 5601 R16 5606 114 6705 0 7 6710 Q26 6715 M 8
 2549 K13 2554 H26 2561 K31 2567 K32 2576 L25 2581 C22 2586 N21 2595 Q21 2605 018 2610 L17 2703 J 6 2708 F 6 2713 L 6 2721 R13 2726 J13 2731 013 2737 L15 2745 014 2751 R13 3542 026 3554 H24 3559 L26 3566 P27 3573 R24 3576 L23 3583 C21 3588 N23 3604 N19 3610 P20 3703 S 5 3708 H 6 3715 C 3 3725 J18 3730 014 3738 J15 3745 P16 3754 R26 3759 R14 3764 H34 3769 W 5 3774 P 4 3780 Q25 3785 R27 3796 L18 5602 K18 5701 0 5 6706 N15 6711 Q27 6721 E36 6731 D 8 7555 L25 7561 Q22 7701 C 9 7721 0 5 8033 N 5
 2550 L15 2555 F26 2562 L31 2569 031 2574 2582 M22 2587 Q22 2601 R19 2606 N18 2611 R18 2704 K 6 2710 H 6 2716 C 3 2723 R14 2728 J13 2733 013 2742 114 2748 K13 2750 R15 3551 F24 3556 H25 3561 K32 3568 N31 3575 L25 3580 N23 3585 E22 3601 R19 3606 N19 3615 D 6 3705 S 5 3710 H 6 3717 R13 3727 C13 3732 013 3742 114 3748 H13 3756 K15 3761 0 6 3766 P 4 3771 N 5 3776 N 4 3782 Q25 3787 L26 3798 116 5604 Q25 6703 P 7 6708 016 6713 015 6722 E34 7551 Q23 7556 L22 7563 Q22 7705 K15 7724 0 8
 2551 F25 2556 H26 2563 R31 2570 031 2578 L24 2583 C22 2588 N22 2602 L19 2607 R18 2612 R18 2705 S 5 2710 H 6 2716 C 3 2723 R14 2728 J13 2733 013 2742 114 2748 K13 2750 R15 3551 F24 3556 H25 3561 K32 3568 N31 3575 L25 3580 N23 3585 E22 3601 R19 3606 N19 3615 D 6 3705 S 5 3710 H 6 3717 R13 3727 C13 3732 013 3742 114 3748 H13 3756 K15 3761 0 6 3766 P 4 3771 N 5 3776 N 4 3782 Q25 3787 L26 3798 116 5604 Q25 6703 P 7 6708 016 6713 015 6722 E34 7551 Q23 7556 L22 7563 Q22 7705 K15 7724 0 8



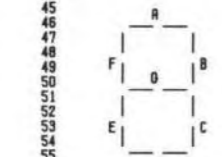
0040	B 7	1401	H 8	1426	B16	2421	R 4	2522	F12	2560	D 4	2575	F 4	2591	C 5	2610	E 3	3425	C10	3441	B 5	3457	F 9	3513	G13	3544	F10	3560	E 5	3577	F 4	3592	F 3	3611	C 2	6411	E10	6557	D 9	7413	E10	7501	F11	8505	E10
0041	B 7	1402	H 9	1552	E 1	2422	F 8	2523	G10	2561	E 5	2577	F 5	2592	G 5	2611	B13	3426	G10	3442	E 7	3458	F 8	3517	H14	3545	C12	3561	F 5	3578	D 5	3595	F 2	3612	C 2	6412	E 8	6558	D 9	7420	C10	7503	B13	8505	C12
0042	F 7	1403	H 6	1553	C 5	2423	R 5	2524	G11	2562	E 5	2578	G 5	2593	G 1	2612	C13	3427	E 7	3444	F 8	3459	F 9	3518	G14	3547	B15	3562	F 5	3579	F 4	3596	D 3	3613	C 1	6413	B 5	6559	C 9	7421	C10	7504	C14	8506	E 9
0043	E 8	1404	H11	1554	E 6	2424	B13	2525	F10	2563	D 5	2579	F 1	2594	G 2	2601	D12	3428	E 7	3445	B 6	3460	F 9	3519	E15	3548	B15	3563	D 5	3580	G 4	3597	F 2	3614	C 2	6415	F 7	6560	C 9	7435	C 9	7551	D 4	8509	D15
0045	D10	1405	D15	1555	C 4	2425	C 4	2526	F11	2564	E 5	2580	D 3	2597	F 2	2602	D11	3429	E 8	3446	B 6	3461	F 8	3520	F16	3549	C13	3564	E 5	3581	F 4	3598	D 3	3615	C 1	6420	D14	6561	D 5	7436	E12	7552	E 2	8511	D10
0046	D14	1406	B 4	1556	D12	2426	E 9	2529	B12	2565	D 3	2581	E 2	2598	G 5	2604	D13	3430	F 8	3447	D 9	3462	B12	3521	E15	3550	C14	3565	H 4	3582	F 4	3599	F 2	3616	C 2	6436	B15	6562	D 5	7437	B14	7553	D 3	8513	R15
0047	C11	1407	B 1	2401	D11	2501	F12	2530	B13	2566	D 4	2582	D 2	2601	F 3	2611	C 9	3431	B 6	3448	D10	3463	B12	3528	F15	3551	D 3	3566	H 4	3583	F 5	3600	D 2	3617	G 3	6437	D15	6563	G 3	7438	B13	7554	C 3	8513	R14
0050	E10	1408	B 3	2402	E11	2502	F13	2531	E11	2567	F 4	2583	F 2	2602	F 3	2612	C 9	3432	B 6	3449	B12	3478	E 7	3535	F12	3552	D 3	3567	G 4	3584	F 4	3601	F 2	3618	C 3	6438	B11	6564	G 3	7439	B13	8401	D14	8551	H 3
0051	B12	1409	B 4	2403	E11	2503	D13	2532	D11	2568	G 4	2584	D 2	2603	F 3	2614	D 9	3433	B 6	3450	B12	3481	F 7	3536	F13	3553	F 5	3568	H 4	3585	E 4	3602	D 2	3621	C 3	6439	A10	6565	F 3	7440	R14	8401	D10	9587	F 3
0052	C12	1410	B 2	2411	D 9	2504	D12	2533	F11	2569	F 4	2585	F 2	2604	F 3	2615	E10	3434	F 8	3451	B14	3485	B11	3537	F11	3554	F 6	3571	F 5	3586	E 4	3603	F 2	3622	C 2	6591	F 3	6596	F 3	7441	R13	8404	C11		
0053	E 8	1411	B 3	2412	D 9	2505	E16	2534	F 5	2570	G 4	2586	D 2	2605	E 3	2617	F 8	3436	B 8	3452	B14	3486	B11	3538	F12	3555	F 6	3572	G 5	3587	E 5	3604	D 2	3623	E 1	6592	E 3	6597	C 2	7442	R13	8413	F 7		
0054	D16	1412	B 4	2413	E11	2506	E16	2535	G 5	2571	F 4	2587	F 1	2606	E 4	2618	E10	3437	F 7	3453	R12	3500	B14	3539	H12	3556	G 6	3573	F 5	3588	E 4	3607	D 8	6624	C 2	6593	F 3	7403	B 7	7443	F 9	8418	F 7		
0055	D13	1413	B11	2414	C 8	2513	E15	2537	G 3	2572	G 4	2588	E 2	2607	D 3	2622	D11	3438	F 8	3454	R12	3505	G15	3540	G12	3557	F 5	3574	G 5	3589	D 3	3608	C 6	6401	C 8	6594	E 9	7403	D11	7444	F 9	8423	F 7		
0058	H 3	1414	B11	2415	C 9	2514	E15	2538	G 3	2573	E 5	2589	E 2	2608	D 3	2623	D10	3439	E 7	3455	B12	3506	F11	3542	F11	3559	E 5	3575	F 5	3590	D 3	3609	C 1	6401	D12	6595	D 4	7403	B 5	7446	B10	8501	E10		
1400	B 8	1415	B 8	2420	D10	2521	F11	2559	E 4	2574	G 4	2590	E 3	2609	E 3	2624	C10	3440	E 8	3456	B12	3508	F11	3543	F10	3559	E 5	3576	D 5	3591	F 3	3610	C 2	6410	D 7	6596	D 4	7411	D 9	7447	B10	8501	B12		



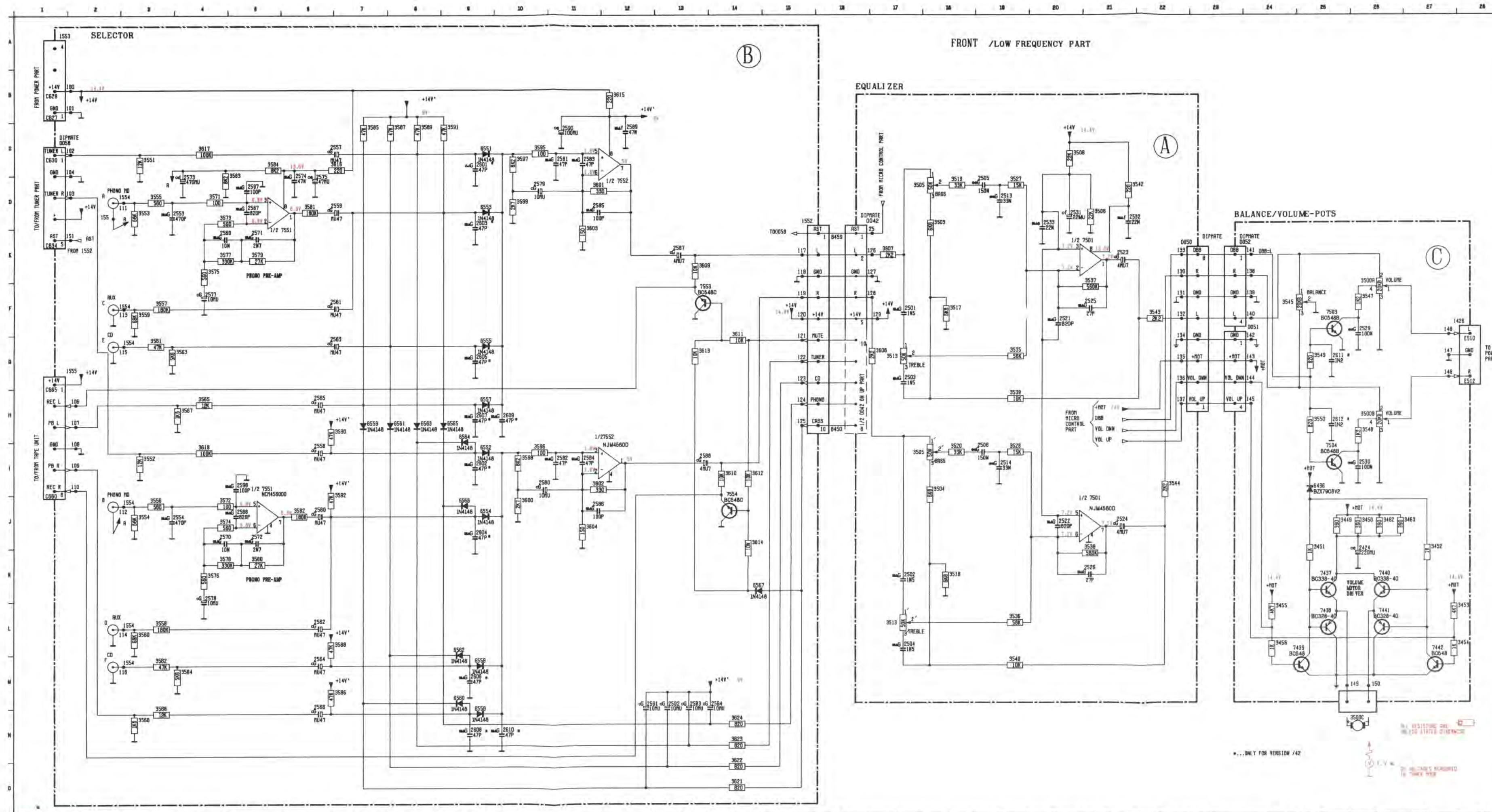
FRONT/ μ P CONTROL PART



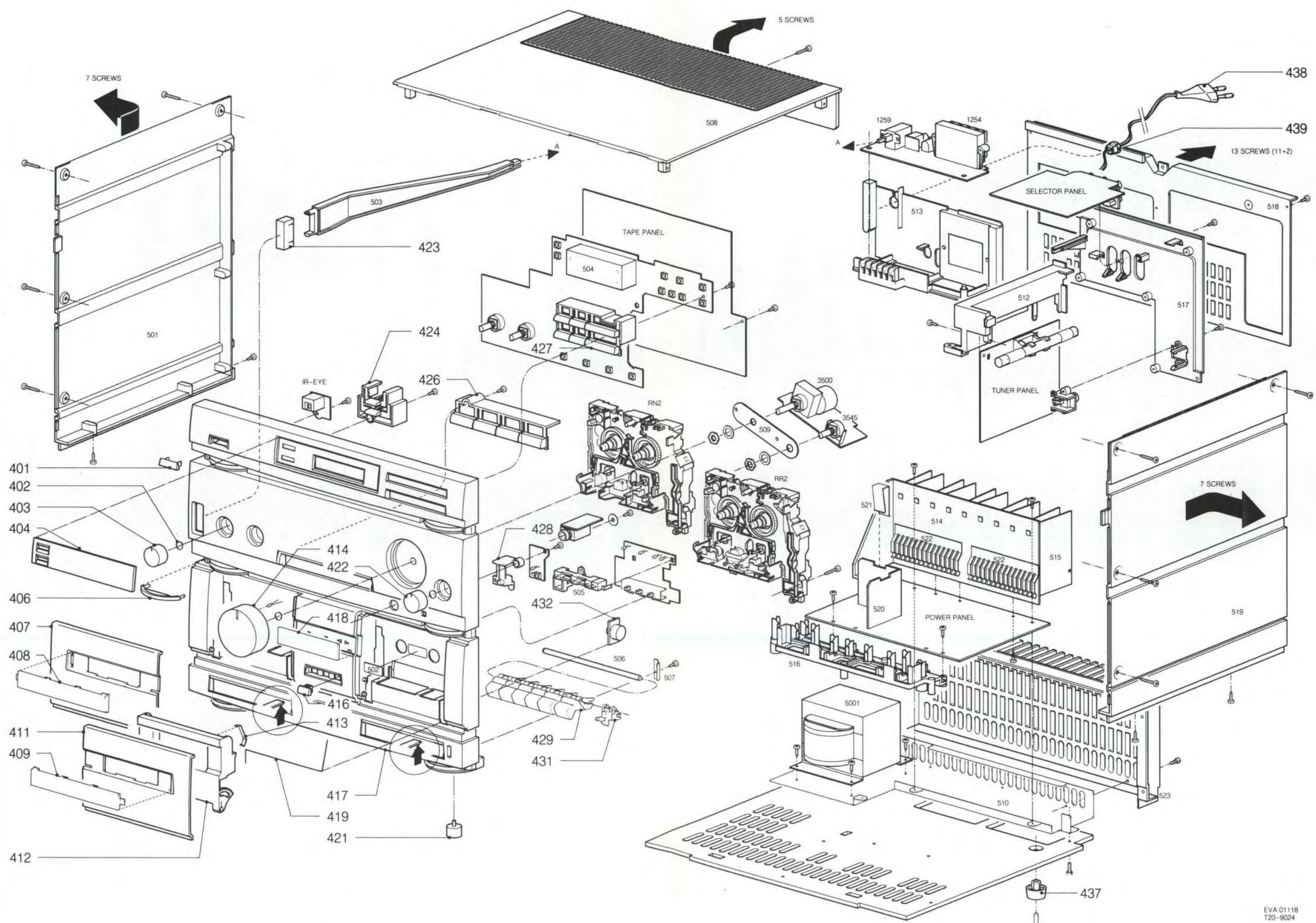
CON2	CON1	PIN LCD	PIN MPROC
7C	7D	26	43
7B	7E	25	44
7A	7F	24	45
6B	7A	23	46
5C	5D	22	47
5B	5E	21	48
5A	5F	20	49
4C	4D	19	50
4B	4E	18	51
4A	4F	17	52
3C	3D	16	53
3B	3E	15	54
3A	3F	14	55
2C	2D	13	56
2B	2E	12	57
2A	2F	11	58
1C	1D	10	59
1B	1E	9	60
1A	1F	8	61
0C	0D	7	62
0B	0E	6	63
0A	0F	5	64
9C	9D	4	65
9B	9E	3	66
9A	9F	2	67
8C	8D	1	68
8B	8E		69
8A	8F		70



- 0042 H22 7445 R17
- 0043 D22 7446 K20
- 0044 J22 7447 K18
- 0045 R21 7448 H18
- 0048 R22 8511 C24
- 0047 B21
- 0053 C 4
- 0054 C 4
- 0059 M22
- 1400 M10
- 1401 B 5
- 1402 B 6
- 1403 B 7
- 1404 B 7
- 1405 C 3
- 1406 C 7
- 1407 C 6
- 1408 C 7
- 1409 C 7
- 1410 D 8
- 1411 D 7
- 1412 D 7
- 1413 C 5
- 1414 C 6
- 1415 L19
- 1420 M23
- 1421 M23
- 2401 M17
- 2402 M17
- 2403 M18
- 2411 J 7
- 2412 K 7
- 2413 H 6
- 2414 G 8
- 2415 J 8
- 2420 R20
- 2421 H 9
- 2422 F17
- 2423 H 7
- 2425 M15
- 2426 C15
- 3401 M18
- 3402 M17
- 3404 K20
- 3405 L19
- 3411 J 7
- 3412 K 7
- 3414 G 6
- 3416 G 7
- 3417 C14
- 3418 L16
- 3422 R20
- 3423 R19
- 3424 B18
- 3425 B16
- 3426 R14
- 3427 E18
- 3428 E18
- 3429 B18
- 3430 F15
- 3431 F16
- 3432 F18
- 3433 F17
- 3434 F17
- 3436 B18
- 3437 M14
- 3438 D15
- 3439 M14
- 3440 D18
- 3441 D17
- 3442 H18
- 3444 C15
- 3445 I17
- 3446 C21
- 3447 C22
- 3448 C23
- 3457 D16
- J 3458 C18
- 3459 D18
- 3460 D17
- 3461 H18
- 3470 M20
- 3471 M20
- 3472 M20
- 3476 J16
- 3481 I15
- 3482 R17
- 3483 R18
- 3484 R18
- 3485 L19
- 3486 K20
- 5401 B 8
- 5001 C24
- 6401 M18
- 6410 E15
- 6411 K18
- 6412 K16
- 6413 I18
- 6415 F17
- 6420 R23
- 6437 D 3
- 6438 L20
- 6440 M19
- 7400 F12
- 7401 M16
- 7403 J 8
- 7411 J 8
- 7413 D 7
- 7420 R19
- 7421 R15
- 7435 C22
- 7436 D18
- 7443 D18
- 7444 H16



0042	D18	3548	H26
0050	E22	3549	O25
0051	F24	3550	H25
0052	E24	3551	C 3
0058	C 1	3552	I 3
1428	F28	3553	D 3
1552	D15	3554	J 3
1553	R 1	3555	D 3
1554	D 2	3558	J 3
1554	F 2	3557	F 3
1555	D 2	3558	L 3
2424	K28	3559	F 3
2501	F17	3560	L 3
2502	K17	3561	D 3
2503	D17	3562	H 3
2504	L17	3563	D 3
2505	D18	3564	H 4
2506	I18	3565	H 4
2513	D19	3566	H 3
2514	I19	3567	H 4
2521	F20	3568	H 3
2522	J20	3571	H 4
2523	E21	3572	J 4
2524	J21	3573	D 4
2525	F21	3574	J 4
2526	K21	3575	E 4
2529	F26	3576	K 4
2530	I26	3577	E 4
2531	D20	3578	K 4
2532	D21	3579	E 5
2535	D20	3580	K 5
2536	D 3	3581	H 4
2544	J 3	3582	J 8
2557	C 7	3583	C 4
2558	I 6	3584	C 5
2559	D 7	3585	C 7
2560	J 6	3586	H 6
2561	F 7	3587	C 8
2562	L 6	3588	L 6
2563	D 7	3589	C 8
2564	M 8	3590	H 8
2565	H 9	3591	C 9
2566	M 6	3592	I 8
2567	D 5	3595	C10
2568	J 5	3598	I10
2569	E 4	3597	C10
2570	J 4	3598	I10
2571	E 5	3598	D10
2572	J 5	3600	J10
2573	D 4	3601	O11
2574	C 6	3602	I11
2575	D 6	3603	O11
2577	F 4	3604	J11
2578	K 4	3607	E17
2579	O10	3608	G17
2580	I10	3609	E13
2581	C11	3610	I14
2582	I11	3611	F14
2583	C11	3612	I14
2584	I11	3613	O13
2585	O11	3614	J14
2586	J11	3615	B12
2587	E13	3616	C 7
2588	I13	3617	C 4
2589	C12	3618	I 4
2590	C11	3621	O14
2591	I12	3622	M14
2592	I13	3623	M14
2593	M13	3624	M14
2594	M13	3624	M14
2597	D 5	6551	C 9
2598	I 5	6552	I 9
2601	C 9	6553	D 9
2602	I 9	6554	J 8
2603	O 9	6555	D 9
2604	J 8	6556	H 9
2605	H 9	6557	H 9
2606	M 9	6558	M 9
2607	H 9	6559	H 7
2608	N 9	6560	M 9
2609	H10	6561	H 9
2610	M10	6562	L 9
2611	O25	6563	H 8
2612	H25	6564	H 9
3449	J25	6565	H 9
3450	J26	6566	K14
3451	J25	6567	K14
3452	J27	7437	K25
3453	L27	7438	L25
3454	L27	7439	L25
3455	L24	7440	K26
3456	L24	7441	L28
3462	J26	7442	L27
3463	J26	7501	J21
3500R	E26	7503	F25
3500B	H26	7504	J25
3500C	M26	7551	I 5
3503	D18	7552	M11
3504	I18	7553	F13
3505	I18	7554	I14
3505	D18		
3508	D21		
3508	C20		
3513	L17		
3513	O17		
3517	F18		
3518	K18		
3518	D18		
3520	I18		
3527	D18		
3528	I18		
3535	O18		
3536	L19		
3537	E21		
3538	J21		
3539	H19		
3540	M19		
3542	D21		
3543	F22		
3544	I22		
3545	F25		
3547	F26		



MECHANICAL PARTS

- 401 4822 450 61524 WINDOW IR
- 402 4822 492 63086 SPRING KNOB FIXATION
- 403 4822 411 61738 KNOB, BASS/TREBLE
- 404 4822 450 61546 WINDOW TUNER
- 406 4822 426 60577 CAP ORNAMENTAL FOOT

- 407 4822 454 12676 CASS. FLAP LEFT
- 408 4822 450 61525 WINDOW CASS. DOOR
- 409 4822 450 61525 WINDOW CASS. DOOR
- 411 4822 454 12677 CASS. FLAP RIGHT
- 412 4822 443 63037 DOOR, CASSETTE

- 413 4822 492 63927 SPRING, CASS. PRESS
- 414 4822 411 61739 KNOB, VOLUME
- 416 4822 410 60995 BUTTON, CASS. FEATURE
- 417 4822 423 51056 FRONT ASSY /43
- 417 4822 423 51057 FRONT ASSY /58

- 418 4822 450 61547 WINDOW CASS. DISPLAY
- 419 4822 492 70427 SPRING CASS. DOOR
- 421 4822 462 40683 FOOT RUBBER
- 422 4822 411 61737 KNOB, BALANCE
- 423 4822 413 70273 CAP POWER KNOB

- 424 4822 413 41622 KNOB ASSY, PROGR/SCAN
- 426 4822 410 60978 KNOB ASSY, SELECTOR
- 427 4822 410 60977 KNOB ASSY, TUNER
- 428 4822 410 60586 BUTTON
- 429 4822 410 60979 BUTTON ASSY TAPE

- 431 4822 404 10835 LEVER AUTOREV.
- 432 4822 529 10257 DAMPER CASS. DOOR
- 437 4822 462 41535 FOOT RUBBER
- 438 4822 321 10379 MAINS CORD EUROPE
- 439 4822 401 11336 CLAMP MAINS CORD

EVA 01118
T20-9024

MISCELLANEOUS			
1070	4822 276 30408	SWITCH ASSY PUSHBUT.	1402 4822 276 12465 SWITCH TACT
1105	4822 277 30862	SWITCH, GRID SELECTOR	1403 4822 276 12465 SWITCH TACT
1250	4822 071 53152	FUSE T3, 5A	1404 4822 276 12465 SWITCH TACT
1251	4822 071 53152	FUSE T3, 5A	1405 4822 276 12465 SWITCH TACT
1252	4822 071 51602	FUSE T1.6A	1406 4822 276 12465 SWITCH TACT
1253	4822 071 51602	FUSE T1.6A	1407 4822 276 12465 SWITCH TACT
1254	4822 071 53152	FUSE T3, 5A	1408 4822 276 12465 SWITCH TACT
1254	4822 071 54002	FUSE T4A	1409 4822 276 12465 SWITCH TACT
1257	4822 134 41016	LAMP INC. 12V 300mA	1410 4822 276 12465 SWITCH TACT
1259	4822 071 51602	FUSE T1.6A	1411 4822 276 12465 SWITCH TACT
1260	4822 071 51602	FUSE T1.6A	1412 4822 276 12465 SWITCH TACT
1271	4822 276 12901	SWITCH POWER	1413 4822 276 12465 SWITCH TACT
1272	4822 267 31107	LS-TERMINAL	1414 4822 276 12465 SWITCH TACT
1273	4822 267 31051	REMOTE OUT	1415 4822 134 40965 LAMP INC. 12V 150mA
1274	4822 267 30968	PHONE SOCKET	1554 4822 267 40877 CINCH, 4-FOLD
1286	4822 264 30175	SOCKET EXT. SUPPLY	5001 4822 146 30913 TRANSF.MAINS
1287	4822 277 21404	VOLTAGE SELECTOR	5001 4822 146 30945 TRANSF.MAINS OVERSEA
1400	4822 130 90816	LCD	5250 4822 280 70366 RELAY MINIAT. 36V DC
1401	4822 276 12465	SWITCH TACT	
DIODES			
4822 130 82027	TLR220 LED	5322 130 30684	1N4002
4822 130 30621	1N4148	4822 130 34281	BZX79-C15
5322 130 31684	BB809	4822 130 82079	D3SBA20
4822 130 81673	1SV149(B)	5322 130 32184	BV27-50
4822 130 34174	BZX79-C4V7	4822 130 34173	BZX79-C5V6
4822 130 61219	BZX79-C10	4822 130 81254	IR-EYE
4822 130 30842	BAV21	4822 130 34382	BZX79-C8V2
5322 130 34563	BZX79-C2V7	4822 130 31274	LED
4822 130 80235	BZX79-C3V3	4822 130 81424	BZX75-C2V1
4822 130 34167	BZX79-C6V2	4822 130 32472	TLG124A(TPJ52)
5322 130 80686	1N5392	4822 130 31253	BZX79-C2V4
TRANSISTORS			
4822 130 60163	2SC1047	4822 130 44503	BC547C
4822 130 44196	BC548C	4822 130 40938	BC548
5322 130 60068	BC558C	5322 130 42363	BDT63B
5322 130 44779	BC338-40	4822 130 62433	BDT62
5322 130 41982	BC848	5322 130 44926	BDT62B
4822 130 40941	BC558	5322 130 44786	BD675
4822 130 44568	BC557B	4822 130 40982	BD433
5322 130 44413	BF457	4822 130 41715	BC328-40
4822 130 40937	BC548B	4822 130 44197	BC558B
INTEGRATED CIRCUITS			
4822 209 71331	LM7000	4822 209 62395	EEROM NMC9314AN
4822 209 73851	CXA1238M	4822 209 62932	NMC4560 DD
4822 209 83274	NJM4560D	4822 209 72749	CXA1100P
4822 209 62368	μP, TMP47C421-8821	4822 209 62372	TDA1602A/N3
COILS			
5102	4822 156 30947	RF COIL 1,5 TURNS	5110 4822 303 50034 CRYSTAL 7,2 MHz
5103	4822 156 30947	RF COIL 1,5 TURNS	5252 4822 157 62255 COIL 18,5 TURNS
5104	4822 157 53192	0,22μH	5253 4822 157 62255 COIL 18,5 TURNS
5105	4822 156 20816	AM-IF 450kHz	5401 4822 242 73769 CER.RES. 4,194MHZ
5106	4822 158 60511	AM-IF FILTER	5601 4822 156 20811 COIL 36μH
5107	4822 158 60602	FERR.ASSY MW	5602 4822 156 20811 COIL 36μH
5107	4822 526 10466	FERR.ANT.ASSY MW/LW	5603 4822 242 73768 MPX-FILTER
5108	4822 157 51844	COIL VAR.AM-OSC./41	5604 4822 242 73768 MPX-FILTER
5108	4822 156 10459	COIL VAR. AM - OSC.	5605 4822 156 20811 COIL 36μH
5109	4822 242 73546	FM-DISC.	5606 4822 156 20811 COIL 36μH

COILS			
5701	4822 156 20946	OSC.COIL 100kHz	
RESISTORS			
3101	4822 116 52234	100k 5%	0,5W
3104	4822 116 52921	4k7 1%	0,6W
3106	4822 050 23302	3k3 1%	0,6W
3108	4822 050 24703	47k 1%	0,6W
3111	4822 050 21203	12k 1%	0,6W
3112	4822 050 21203	12k 1%	0,6W
3114	4822 051 20103	10k 5%	0,1W
3115	4822 100 11213	22k 30%	POT.
3117	4822 050 21002	1k 1%	0,6W
3118	4822 051 20103	10k 5%	0,1W
3119	4822 051 20103	10k 5%	0,1W
3124	4822 116 52921	4k7 1%	0,6W
3125	4822 116 52921	4k7 1%	0,6W
3126	4822 050 22202	2k2 1%	0,6W
3128	4822 050 16809	68R 1%	0,4W
3130	4822 050 15602	5k6 1%	0,4W
3132	4822 116 52921	4k7 1%	0,6W
3135	4822 116 52244	15k 5%	0,5W
3138	4822 050 14709	47R 1%	0,4W
3140	4822 050 26801	680R 1%	0,6W
3141	4822 050 21002	1k 1%	0,6W
3142	4822 050 21002	1k 1%	0,6W
3143	4822 050 21002	1k 1%	0,6W
3145	4822 116 52921	4k7 1%	0,6W
3146	4822 053 10221	220R 5%	1W
3150	4822 050 21002	1k 1%	0,6W
3157	4822 050 22202	2k2 1%	0,6W
3165	4822 050 11809	18R 1%	0,4W
3191	4822 050 23301	330R 2%	0,25W
3192	4822 051 20103	10k 5%	0,1W
3250	4822 050 22202	2k2 1%	0,6W
3251	4822 050 22202	2k2 1%	0,6W
3252	4822 116 52921	4k7 1%	0,6W
3253	4822 116 52921	4k7 1%	0,6W
3254	4822 050 22202	2k2 1%	0,6W
3255	4822 050 22202	2k2 1%	0,6W
3256	4822 116 52921	4k7 1%	0,6W
3257	4822 116 52921	4k7 1%	0,6W
3264	4822 050 21002	1k 1%	0,6W
3265	4822 050 21002	1k 1%	0,6W
3268	4822 050 22203	22k 1%	0,6W
3269	4822 050 22203	22k 1%	0,6W
3270	4822 053 10122	1k2 5%	1W
3271	4822 053 10272	2k7 5%	1W
3272	4822 116 82663	680R 5%	NFR
3273	4822 116 82663	680R 5%	NFR
3274	4822 050 22202	2k2 1%	0,6W
3275	4822 050 22202	2k2 1%	0,6W
3276	4822 116 80335	47R 5%	NFR
3277	4822 116 80335	47R 5%	NFR
3278	4822 053 11152	1k5 5%	2W
3279	4822 053 11152	1k5 5%	2W
3280	4822 053 10152	1k5 5%	1W
3281	4822 053 10152	1k5 5%	1W
3282	4822 050 22202	2k2 1%	0,6W
3283	4822 050 22202	2k2 1%	0,6W
3284	4822 101 10927	470R POTMETER	
3285	4822 101 10927	470R POTMETER	
3286	4822 050 21002	1k 1%	0,6W
3287	4822 050 21002	1k 1%	0,6W
3288	4822 053 10302	3k 5%	1W
3289	4822 053 10302	3k 5%	1W
3290	4822 053 10222	2k2 5%	1W
3291	4822 053 10222	2k2 5%	1W
3294	4822 116 52224	470R 5%	0,5W
3295	4822 116 52224	470R 5%	0,5W
3296	4822 116 52224	470R 5%	0,5W
3297	4822 116 52224	470R 5%	0,5W
3298	4822 116 52224	470R 5%	0,5W
3299	4822 116 52224	470R 5%	0,5W
3302	4822 116 52224	470R 5%	0,5W
3303	4822 116 52224	470R 5%	0,5W
3304	4822 113 80525	0R15 10%	3W
3305	4822 113 80525	0R15 10%	3W
3306	4822 113 80525	0R15 10%	3W
3307	4822 113 80525	0R15 10%	3W
3308	4822 050 24704	470k 1%	0,6W
3309	4822 050 24704	470k 1%	0,6W
3310	4822 050 22204	220k 1%	0,6W
3312	4822 050 24703	47k 1%	0,6W
3313	4822 050 13303	33k 1%	0,4W
3314	4822 116 52234	100k 5%	0,5W
3315	4822 050 21501	150R 1%	0,6W
3316	4822 116 52921	4k7 1%	0,6W
3318	4822 050 21002	1k 1%	0,6W
3319	4822 050 21002	1k 1%	0,6W
3320	4822 113 80545	390R 10%	5W
3321	4822 113 80545	390R 10%	5W
3322	4822 050 26809	68R 1%	0,6W
3323	4822 050 26809	68R 1%	0,6W
3328	4822 116 52224	470R 5%	0,5W
3329	4822 116 52224	470R 5%	0,5W
3330	4822 116 80562	10R 5%	NFR
3331	4822 116 80562	10R 5%	NFR
3340	4822 050 22204	220k 1%	0,6W
3341	4822 050 22204	220k 1%	0,6W
3342	4822 116 80311	4,7R 5%	NFR
3343	4822 116 80564	220R 5%	NFR
3344	4822 116 82662	100R 5%	NFR
3345	4822 053 10122	1k2 5%	1W
3346	4822 050 21002	1k 1%	0,6W
3347	4822 116 52224	470R 5%	0,5W
3348	4822 050 11009	10R 1%	0,4W
3352	4822 050 21002	1k 1%	0,6W
3353	4822 050 21002	1k 1%	0,6W
3354	4822 116 52224	470R 5%	0,5W
3355	4822 116 52224	470R 5%	0,5W
3358	4822 116 80311	4,7R 5%	NFR
3359	4822 116 80311	4,7R 5%	NFR
3364	4822 050 22204	220k 1%	0,6W
3365	4822 050 22204	220k 1%	0,6W
3368	4822 116 80562	10R 5%	NFR
3369	4822 116 80562	10R 5%	NFR
3401	4822 052 10339	33R 5%	NFR

RESISTORS			
3500	4822 102 10414	POTM. 2x20kΩ	
3505	4822 102 10421	POTMETER 2x50kΩ	
3513	4822 102 10421	POTMETER 2x50kΩ	
3545	4822 101 21103	POTM. 20kΩ	
3550	4822 050 21002	1k 1%	0,6W
3551	4822 050 21204	120k 1%	0,6W
3552	4822 050 21204	120k 1%	0,6W
3553	4822 050 23302	3k3 1%	0,6W
3554	4822 050 23302	3k3 1%	0,6W
3555	4822 050 15602	5k6 1%	0,4W
3556	4822 050 15602	5k6 1%	0,4W
3557	4822 050 21002	1k 1%	0,6W
3558	4822 050 21002	1k 1%	0,6W
3559	4822 050 21002	1k 1%	0,6W
3560	4822 050 21002	1k 1%	0,6W
3561	4822 050 21803	18k 1%	0,6W
3562	4822 050 21803	18k 1%	0,6W
3567	4822 050 24303	43k 1%	0,6W
3568	4822 050 22209	22R 1%	0,6W
3573	4822 050 21002	1k 1%	0,6W
3574	4822 050 21002	1k 1%	0,6W
3577	4822 116 52234	100k 5%	0,5W
3578	4822 116 52234	100k 5%	0,5W
3579	4822 050 24704	470k 1%	0,6W
3580	4822 050 24704	470k 1%	0,6W
3581	4822 050 21504	150k 1%	0,6W
3582	4822 050 21504	150k 1%	0,6W
3583	4822 116 52866	82k 1%	0,6W
3584	4822 116 52866	82k 1%	0,6W
3587	4822 116 52264	27k 5%	0,5W
3588	4822 116 52264	27k 5%	0,5W
3593	4822 050 22209	22R 1%	0,6W
3603	4822 116 52263	2k7 5%	0,5W
3604	4822 116 52263	2k7 5%	0,5W
3605	4822 050 15602	5k6 1%	0,4W
3606	4822 050 15602	5k6 1%	0,4W
3610			

CHIP RESISTORS

3162	4822	051	10221	220R	2%	0,25W	3602	4822	051	10182	1k8	2%	0,25W
3163	4822	051	20681	680R	5%	0,1W	3607	4822	051	10103	10k	2%	0,25W
3191	4822	051	10561	560R	2%	0,25W	3608	4822	051	10103	10k	2%	0,25W
3193	4822	051	20563	56k	5%	0,1W	3609	4822	051	10103	10k	2%	0,25W
3195	4822	051	20222	2k2	5%	0,1W	3707	4822	051	10103	10k	2%	0,25W
3258	4822	051	10223	22k	2%	0,25W	3708	4822	051	10103	10k	2%	0,25W
3259	4822	051	10223	22k	2%	0,25W	3725	4822	051	10223	22k	2%	0,25W
3260	4822	051	10223	22k	2%	0,25W	3727	4822	051	10101	100R	2%	0,25W
3261	4822	051	10103	10k	2%	0,25W	3728	4822	051	10101	100R	2%	0,25W
3266	4822	051	10101	100R	2%	0,25W	3737	4822	051	10223	22k	2%	0,25W
3267	4822	051	10101	100R	2%	0,25W	3738	4822	051	10103	10k	2%	0,25W
3292	4822	051	10101	100R	2%	0,25W	3739	4822	051	10103	10k	2%	0,25W
3293	4822	051	10101	100R	2%	0,25W	3742	4822	051	10223	22k	2%	0,25W
3300	4822	051	10103	10k	2%	0,25W	3743	4822	051	10223	22k	2%	0,25W
3301	4822	051	10103	10k	2%	0,25W	3744	4822	051	10103	10k	2%	0,25W
3311	4822	051	10223	22k	2%	0,25W	3752	4822	051	10122	1k2	2%	0,25W
3326	4822	051	10101	100R	2%	0,25W	3755	4822	051	10122	1k2	2%	0,25W
3356	4822	051	10101	100R	2%	0,25W	3760	4822	051	10103	10k	2%	0,25W
3357	4822	051	10101	100R	2%	0,25W	3766	4822	051	10223	22k	2%	0,25W
3565	4822	051	10103	10k	2%	0,25W	3767	4822	051	10223	22k	2%	0,25W
3566	4822	051	10103	10k	2%	0,25W	3768	4822	051	10223	22k	2%	0,25W
3571	4822	051	10103	10k	2%	0,25W	3769	4822	051	10223	22k	2%	0,25W
3572	4822	051	10103	10k	2%	0,25W	3781	4822	051	10103	10k	2%	0,25W
3575	4822	051	10103	10k	2%	0,25W	3783	4822	051	10223	22k	2%	0,25W
3576	4822	051	10103	10k	2%	0,25W	3784	4822	051	10103	10k	2%	0,25W
3585	4822	051	10223	22k	2%	0,25W	3786	4822	051	10103	10k	2%	0,25W
3586	4822	051	10223	22k	2%	0,25W	3797	4822	051	10103	10k	2%	0,25W
3601	4822	051	10182	1k8	2%	0,25W	3798	4822	051	10103	10k	2%	0,25W

CAPACITORS

2104	4822	122	10181	47pF	5%	50V	2153	5322	122	32965	18pF	5%	50V
2105	4822	125	60101	10pF	VARIABLE		2154	5322	122	32481	15pF	5%	50V
2106	4822	122	10183	100pF	5%	50V	2164	5322	122	32967	5,6pF	5%	50V
2111	4822	121	42408	220nF	5%	63V	2250	4822	124	40242	1μF	20%	63V
2117	4822	124	40246	4,7uF	20%	63V	2251	4822	124	40242	1μF	20%	63V
2118	4822	124	40242	1μF	20%	63V	2254	4822	122	10172	220pF	10%	50V
2119	4822	124	22794	47μF	20%	10V	2255	4822	122	10172	220pF	10%	50V
2121	4822	124	41987	0,22μF	20%	63V	2256	4822	122	31435	470pF	10%	50V
2122	4822	124	40239	0,47μF	20%	63V	2257	4822	122	31435	470pF	10%	50V
2123	4822	124	40239	0,47μF	20%	63V	2258	4822	124	41554	220μF	20%	10V
2124	4822	122	10177	10nF	20%	25V	2259	4822	124	41554	220μF	20%	10V
2125	4822	122	10177	10nF	20%	25V	2260	4822	124	41643	100μF	20%	16V
2126	4822	124	40239	0,47μF	20%	63V	2261	4822	124	41643	100μF	20%	16V
2127	4822	124	40248	10μF	20%	63V	2262	4822	122	10183	100pF	5%	50V
2128	4822	124	40246	4,7uF	20%	63V	2263	4822	122	10183	100pF	5%	50V
2130	4822	124	41554	220μF	20%	10V	2264	4822	122	31172	180pF	10%	500V
2135	4822	125	60102	30pF	VARIABLE		2265	4822	122	31172	180pF	10%	500V
2135	4822	125	60101	10pF	VARIABLE		2268	4822	122	10173	820pF	10%	50V
2136	4822	121	51288	100pF	2%	630V	2269	4822	122	10173	820pF	10%	50V
2139	4822	125	60102	30pF	VARIABLE		2270	4822	124	42058	33μF	20%	50V
2139	4822	125	60101	10pF	VARIABLE		2271	4822	124	42058	33μF	20%	50V
2140	4822	121	51381	560pF	1%	400V	2272	4822	122	31381	680pF	10%	50V
2140	5322	121	50999	470pF	1%	400V	2273	4822	122	31381	680pF	10%	50V
2140	4822	121	51263	510pF	1%	400V	2274	5322	122	32854	47pF	2%	500V
2142	4822	121	43253	360pF	1%	400V	2275	5322	122	32854	47pF	2%	500V
2145	4822	124	40196	220μF	20%	16V	2276	4822	124	40178	100μF	20%	10V
2146	4822	124	41631	1,5μF	20%	50V	2277	4822	124	40178	100μF	20%	10V
2149	4822	124	40242	1μF	20%	63V	2278	4822	124	41596	22μF	20%	50V
2151	4822	122	10183	100pF	5%	50V	2279	4822	124	41596	22μF	20%	50V
2152	4822	122	10181	47pF	5%	50V	2284	4822	121	41984	47nF	10%	400V

CAPACITORS

2285	4822	121	41984	47nF	10%	400V	2586	4822	122	10172	220pF	10%	50V
2286	4822	122	10176	4,7nF	10%	50V	2587	4822	122	10172	220pF	10%	50V
2287	4822	122	10176	4,7nF	10%	50V	2588	4822	122	10172	220pF	10%	50V
2288	4822	122	10176	4,7nF	10%	50V	2589	4822	124	40246	4,7uF	20%	63V
2289	4822	122	10176	4,7nF	10%	50V	2590	4822	124	40246	4,7uF	20%	63V
2292	5322	121	42386	100nF	5%	63V	2595	4822	126	10781	470pF	5%	50V
2293	4822	124	40248	10μF	20%	63V	2601	4822	124	40246	4,7uF	20%	63V
2295	4822	121	41922	22nF	10%	250V	2602	4822	124	40246	4,7uF	20%	63V
2296	4822	124	40749	3,3μF	20%	63V	2603	4822	122	10176	4,7nF	10%	50V
2297	4822	122	10166	22nF	30%	16V	2604	4822	122	10176	4,7nF	10%	50V
2298	4822	122	10166	22nF	30%	16V	2605	4822	121	43179	18nF	5%	63V
2303	4822	121	42007	100nF	10%	100V	2606	4822	121	43179	18nF	5%	63V
2305	4822	124	41993	2200μF	20%	35V	2607	4822	122	10225	82pF	5%	50V
2306	4822	124	41993	2200μF	20%	35V	2608	4822	122	10225	82pF	5%	50V
2307	4822	121	42007	100nF	10%	100V	2609	4822	122	10181	47pF	5%	50V
2309	4822	121	42007	100nF	10%	100V	2610	4822	122	10181	47pF	5%	50V
2310	4822	121	42007	100nF	10%	100V	2611	4822	122	10171	180pF	10%	50V
2311	4822	121	42007	100nF	10%	100V	2612	4822	122	10171	180pF	10%	50V
2312	4822	121	42007	100nF	10%	100V	2701	4822	126	10779	330pF	5%	50V
2313	5322	121	42491	47nF	5%	100V	2702	4822	126	10779	330pF	5%	50V
2314	5322	121	42491	47nF	5%	100V	2703	4822	126	10779	330pF	5%	50V
2315	5322	121	42491	47nF	5%	100V	2704	4822	126	10779	330pF	5%	50V
2316	4822	124	41985	3300μF	20%	35V	2705	4822	126	10782	680pF	5%	50V
2317	5322	124	21189	100μF	20%	40V	2706	4822	126	10782	680pF	5%	50V
2318	4822	124	41643	100μF	20%	16V	2707	4822	126	10778	220pF	5%	50V
2319	4822	122	10158	1nF	10%	50V	2708	4822	126	10778	220pF	5%	50V
2320	4822	124	42057	3300μF	20%	25V	2709	4822	124	40246	4,7uF	20%	63V
2321	4822	122	10166	22nF	30%	16V	2710	4822	124	40246	4,7uF	20%	63V
2322	4822	124	40433	47μF	20%	25V	2712	4822	124	41988	220μF	20%	25V
2323	4822	124	40242	1μF	20%	63V	2713	4822	124	40433	47μF	20%	25V
2324	4822	124	40242	1μF	20%	63V	2714	4822	121	51372	5,6nF	2%	250V
2326	4822	124	42056	3300μF	20%	63V	2716	4822	122	10172	220pF	10%	50V
2327	4822	124	42056	3300μF	20%	63V	2717	4822	122	10172	220pF	10%	50V
2549	4822	124	41509	33μF	20%	35V	2719	4822	126	10781	470pF	5%	50V
2550	4822	124	41509	33μF	20%	35V	2721	4822	126	10777	100pF	5%	50V
2551	4822	121	43676	3,3nF	5%	50V	2722	4822	126	10777	100pF	5%	50V
2552	4822	121	43676	3,3nF	5%	50V	2723	4822	124	40246	4,7uF	20%	63V
2553	4822	124	40242	1μF	20%	63V	2724	4822	124	40246	4,7uF	20%	63V
2554	4822	124	40242	1μF	20%	63V	2725	5322	121	423			

CHIP CAPACITORS

2102	5322	122	32531	100pF	5%	50V	2143	4822	122	32482	22pF	5%	63V
2103	4822	122	31727	470pF	5%	63V	2147	4822	122	33339	4,7nF	10%	50V
2107	5322	122	32268	470pF	10%	50V	2148	4822	122	33339	4,7nF	10%	50V
2108	4822	122	31727	470pF	5%	63V	2150	5322	122	32654	22nF	10%	63V
2109	5322	122	32269	6,8pF	5%	50V	2155	4822	122	33806	820pF	10%	63V
2110	4822	122	31727	470pF	5%	63V	2156	5322	122	32654	22nF	10%	63V
2112	4822	122	31808	150pF	10%	50V	2158	4822	122	31727	470pF	5%	63V
2113	5322	122	34123	1nF	10%	50V	2159	5322	122	32268	470pF	10%	50V
2114	4822	122	32927	220nF	10%	63V	2160	5322	122	32268	470pF	10%	50V
2115	4822	122	32927	220nF	10%	63V	2161	4822	122	32927	220nF	10%	63V
2116	4822	122	31797	22nF	10%	63V	2165	4822	122	32927	220nF	10%	63V
2120	4822	122	33496	100nF	10%	63V	2168	4822	122	33891	3,3nF	10%	63V
2129	5322	122	32268	470pF	10%	50V	2169	5322	122	32654	22nF	10%	63V
2131	5322	122	34123	1nF	10%	50V	2190	4822	122	31765	100pF	5%	50V
2132	5322	122	32654	22nF	10%	63V	2191	4822	122	31727	470pF	5%	63V
2133	4822	122	31727	470pF	5%	63V	2195	4822	122	32505	2,7pF	5%	50V
2134	4822	122	32927	220nF	10%	63V	2555	4822	126	10417	47pF	5%	NPO
2137	5322	122	32658	22pF	5%	50V	2556	4822	126	10417	47pF	5%	NPO
2138	4822	122	32927	220nF	10%	63V	2557	4822	126	10417	47pF	5%	NPO
2141	5322	122	32654	22nF	10%	63V	2558	4822	126	10417	47pF	5%	NPO

NOTES: